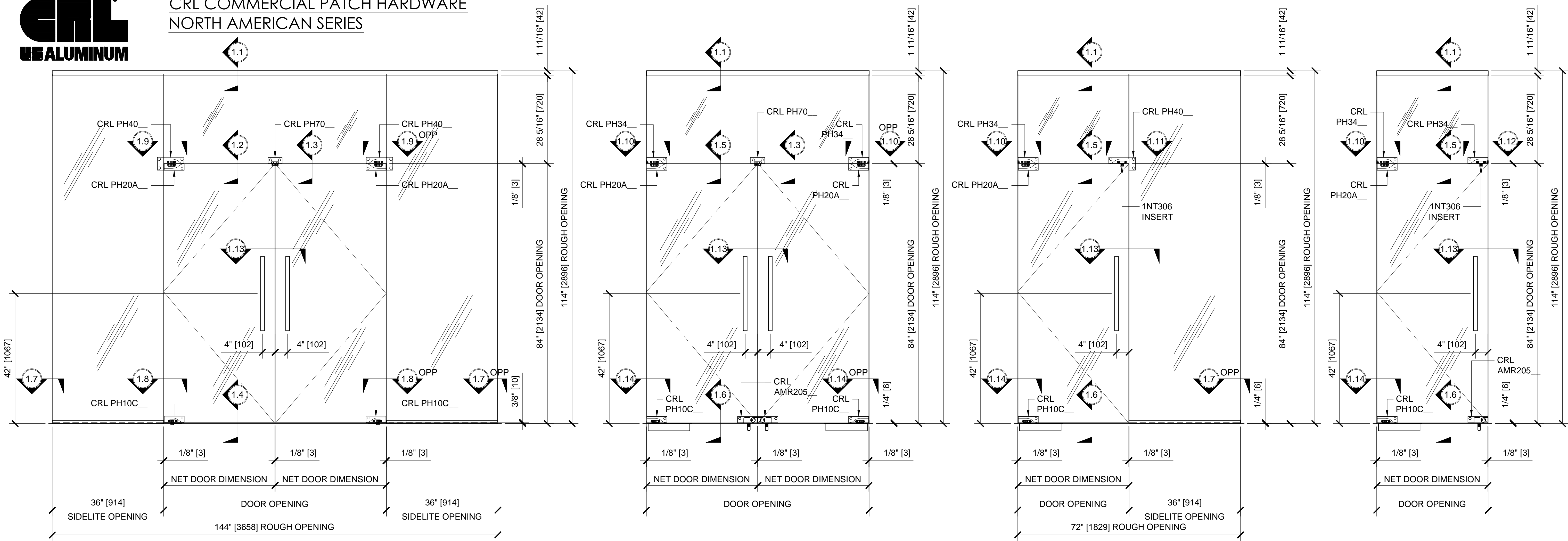
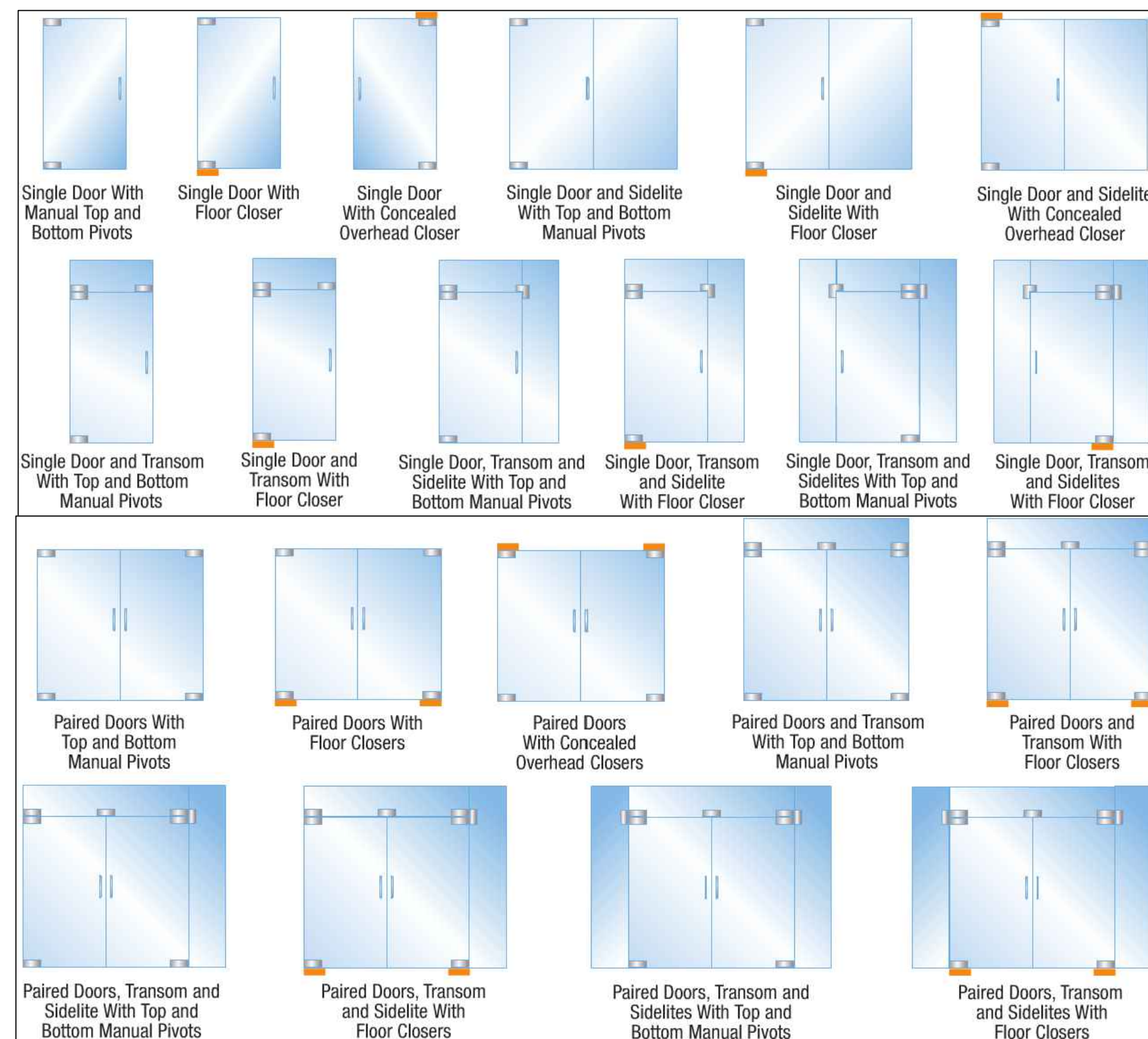




CRL COMMERCIAL PATCH HARDWARE
NORTH AMERICAN SERIES



TYPICAL CONFIGURATION ELEVATIONS FOR TOUGHENED GLASS ASSEMBLIES



OTHER POPULAR CONFIGURATIONS FOR TOUGHENED GLASS ASSEMBLIES

STANDARD PATCH FITTING DOOR (HEIGHT) GUIDELINES
3/8" (10mm) TEMPERED GLASS = 84" RECOMMENDED MAX HEIGHT
1/2" (12mm) TEMPERED GLASS = 102" RECOMMENDED MAX HEIGHT

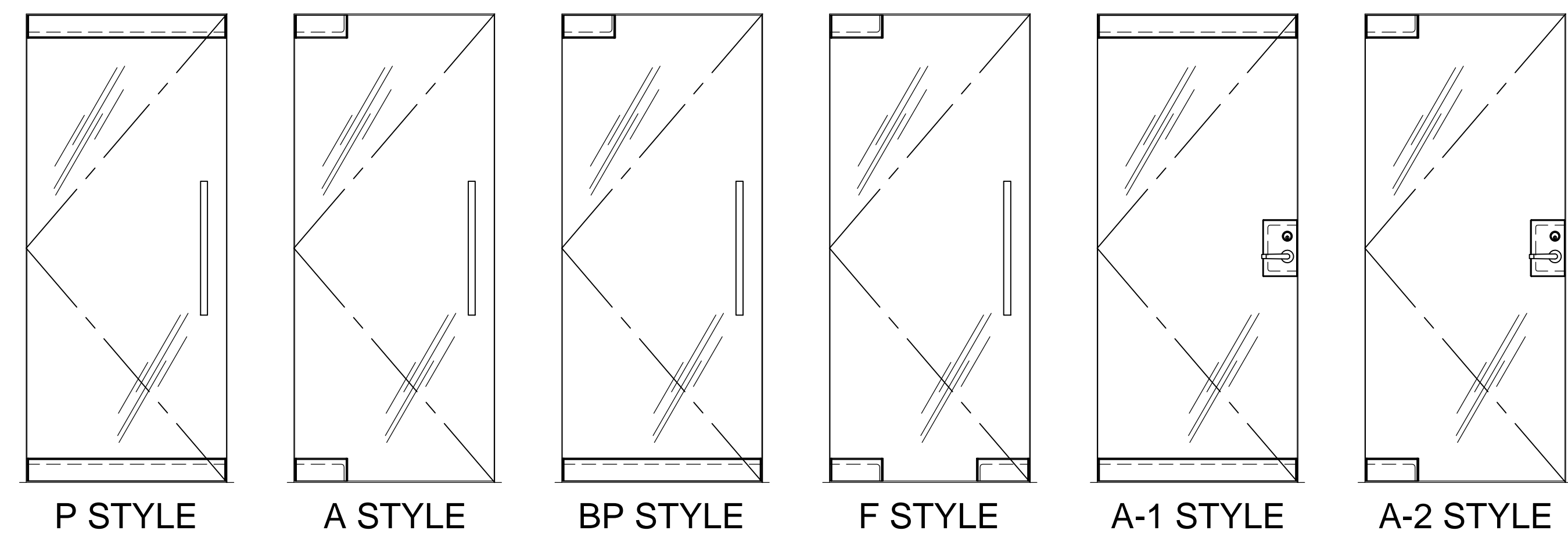
STANDARD PATCH FITTING DOOR (WIDTH) GUIDELINES
3/8" (10mm) TEMPERED GLASS = 36" RECOMMENDED MAX WIDTH
1/2" (12mm) TEMPERED GLASS = 42" RECOMMENDED MAX WIDTH

* AN EXCELLENT CHOICE FOR "ALL-GLASS" ENTRANCES

* PROVIDES FRAMELESS STOREFRONT APPEARANCE FOR UNOBSTRUCTED DISPLAY OF MERCHANDISE

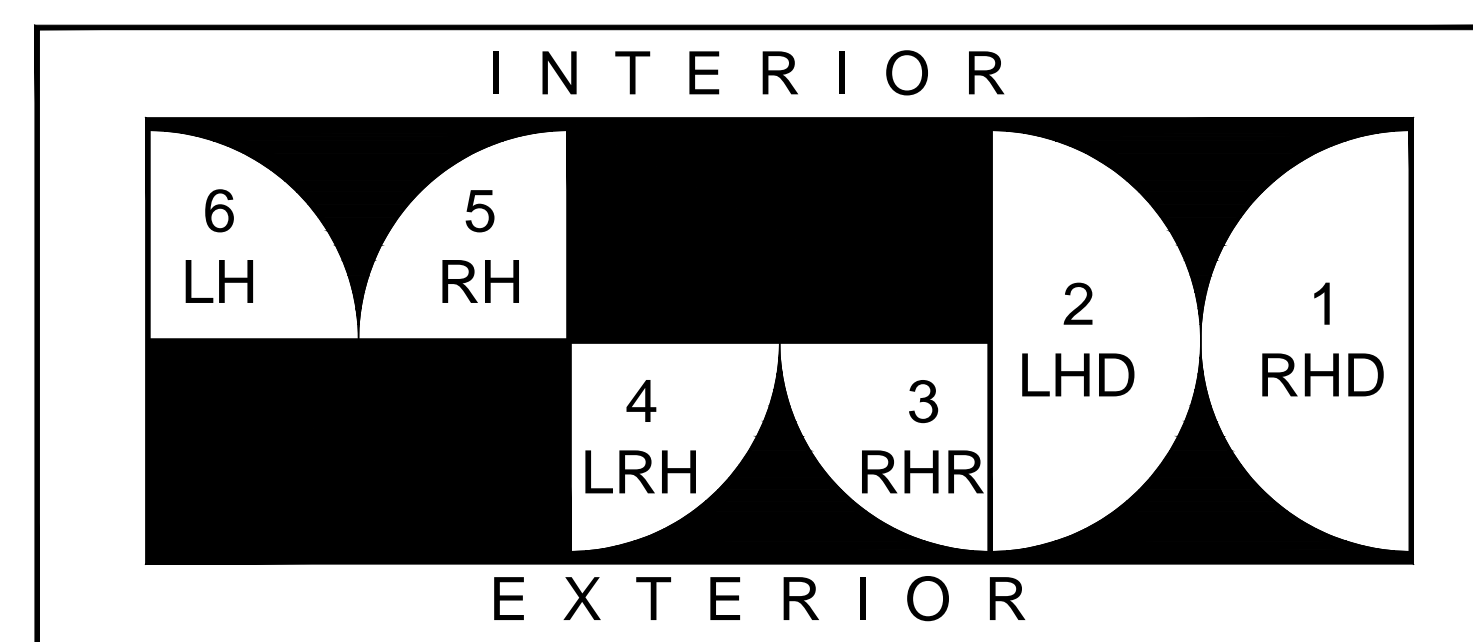
* ALLOWS COMBINATION OF AESTHETICS AND VERSATILITY

* A COMPLETE SELECTION OF PRODUCTS INCLUDING PATCH FITTINGS, INSERTS AND PIVOTS, LEVER LOCKS & LATCHES, CONCEALED OVERHEAD & FLOOR CLOSERS, DOOR HANDLES, AND MANY MORE ACCESSORIES



TYPICAL HURCULITE WEDGE-LOCK DOOR STYLES

DOOR SWING CHART



"INDUSTRY STANDARD" DOOR STYLES AND SWINGING DOOR PATTERNS

THERE ARE SIX BASIC "ALL-GLASS" DOOR STYLES TYPICALLY REFERRED TO THROUGHOUT THE INDUSTRY. BY IDENTIFYING YOUR BASIC DOOR STYLE AND SWING, IT WILL HELP MAKE CLEAR WHAT YOUR INTENTIONS ARE FOR THE PARTICULAR PROJECT. FOR MORE INFORMATION, PLEASE CONTACT OUR TECHNICAL SALES DEPARTMENT AT (800) 421-6144 IN THE U.S., (877) 421-6144 IN CANADA, OR (323) 588-1281 INTERNATIONAL. ASK FOR EXT. 7700. YOU CAN SEND E-MAIL THROUGH THE ciraurence.com HOME PAGE. CLICK ON CONTACT US, AND THEN CLICK ON TECHNICAL SALES FOR COMMERCIAL PRODUCTS.

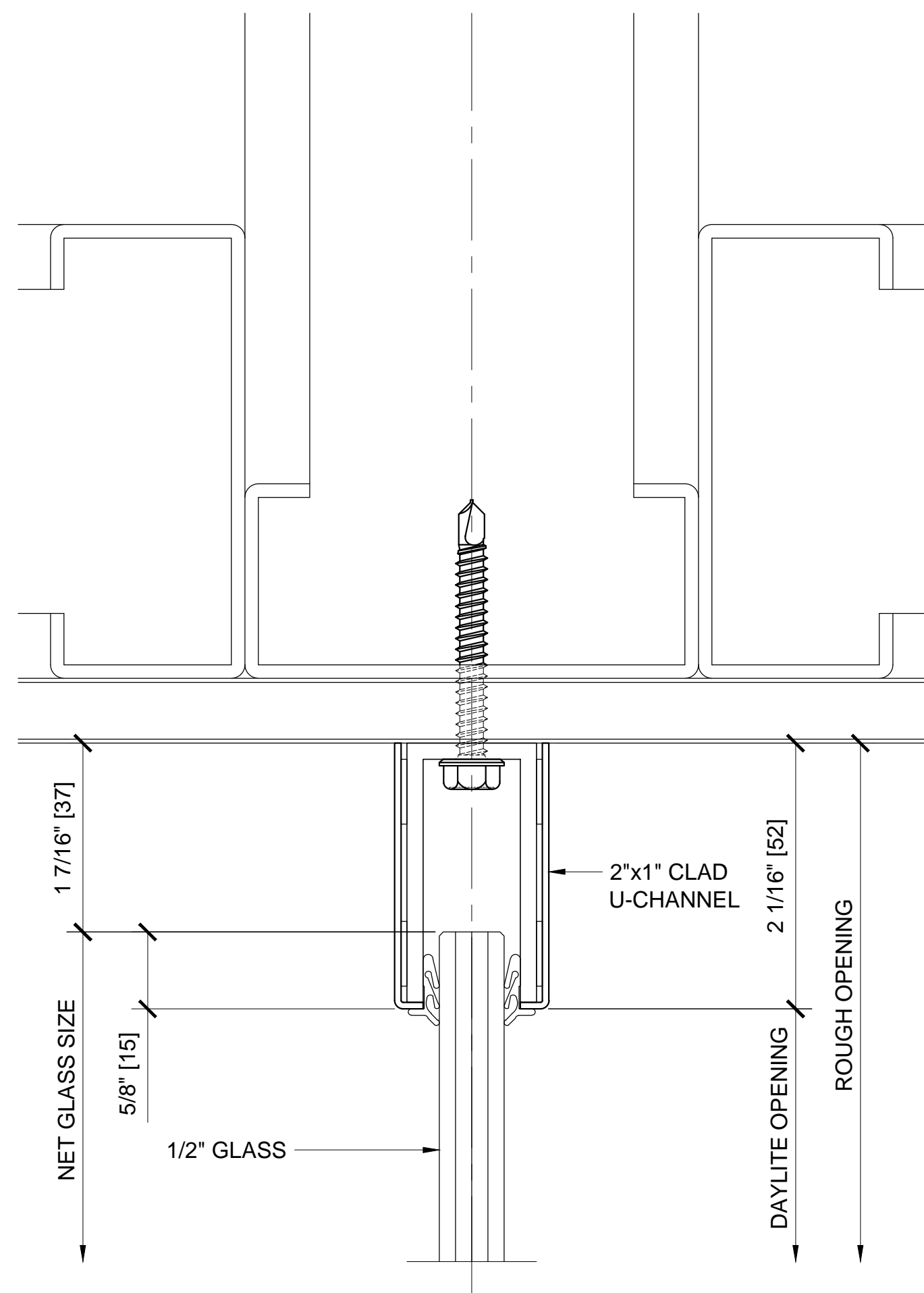
Revisions By:



Discription:
CRL COMMERCIAL
PATCH HARDWARE
NORTH AMERICAN SERIES

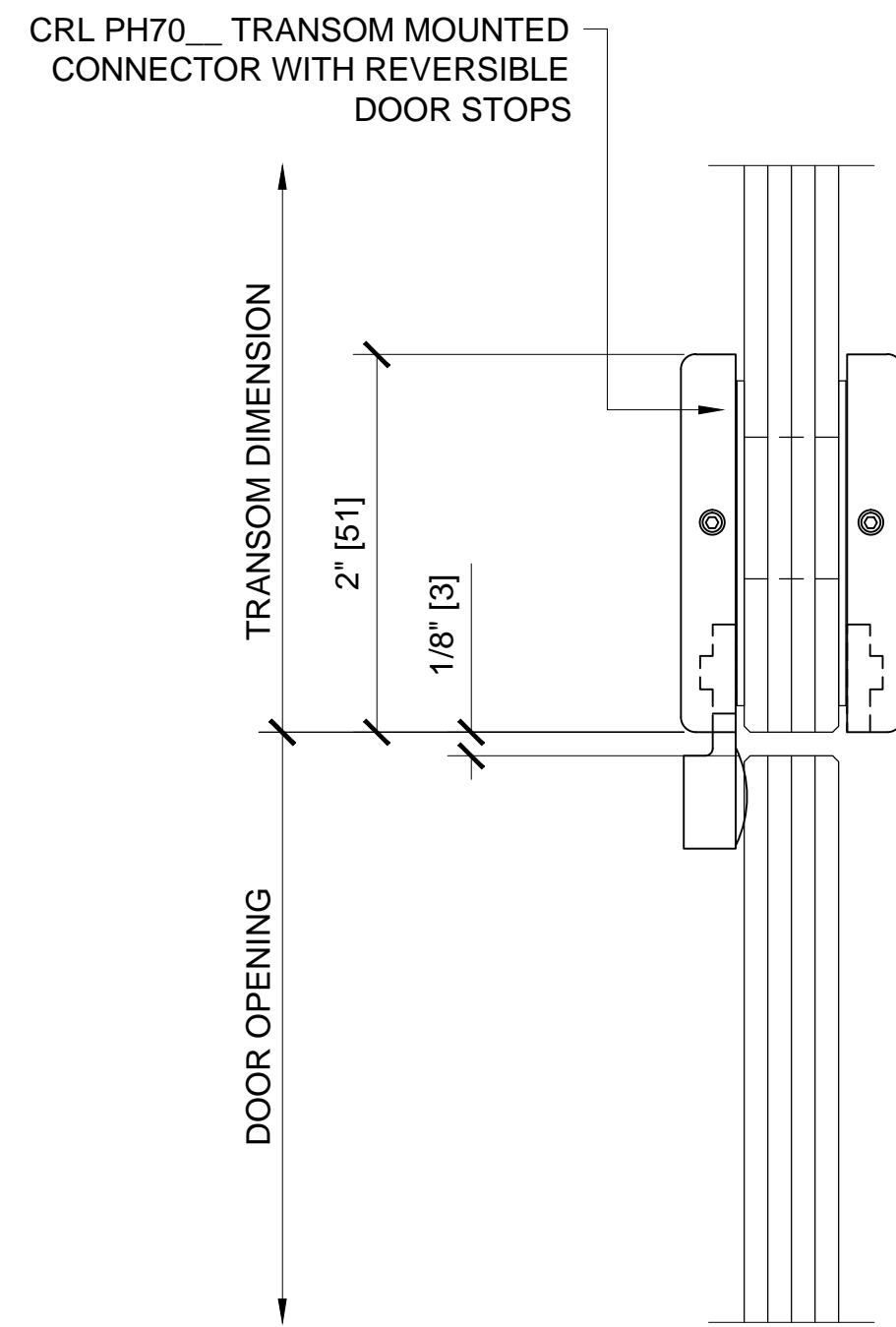
Drawn By: AAD
Date: 1/3/14
Scale: 3/4" = 1'-0"
File Name: PATCH FITTINGS-AMR.dwg

Sheet



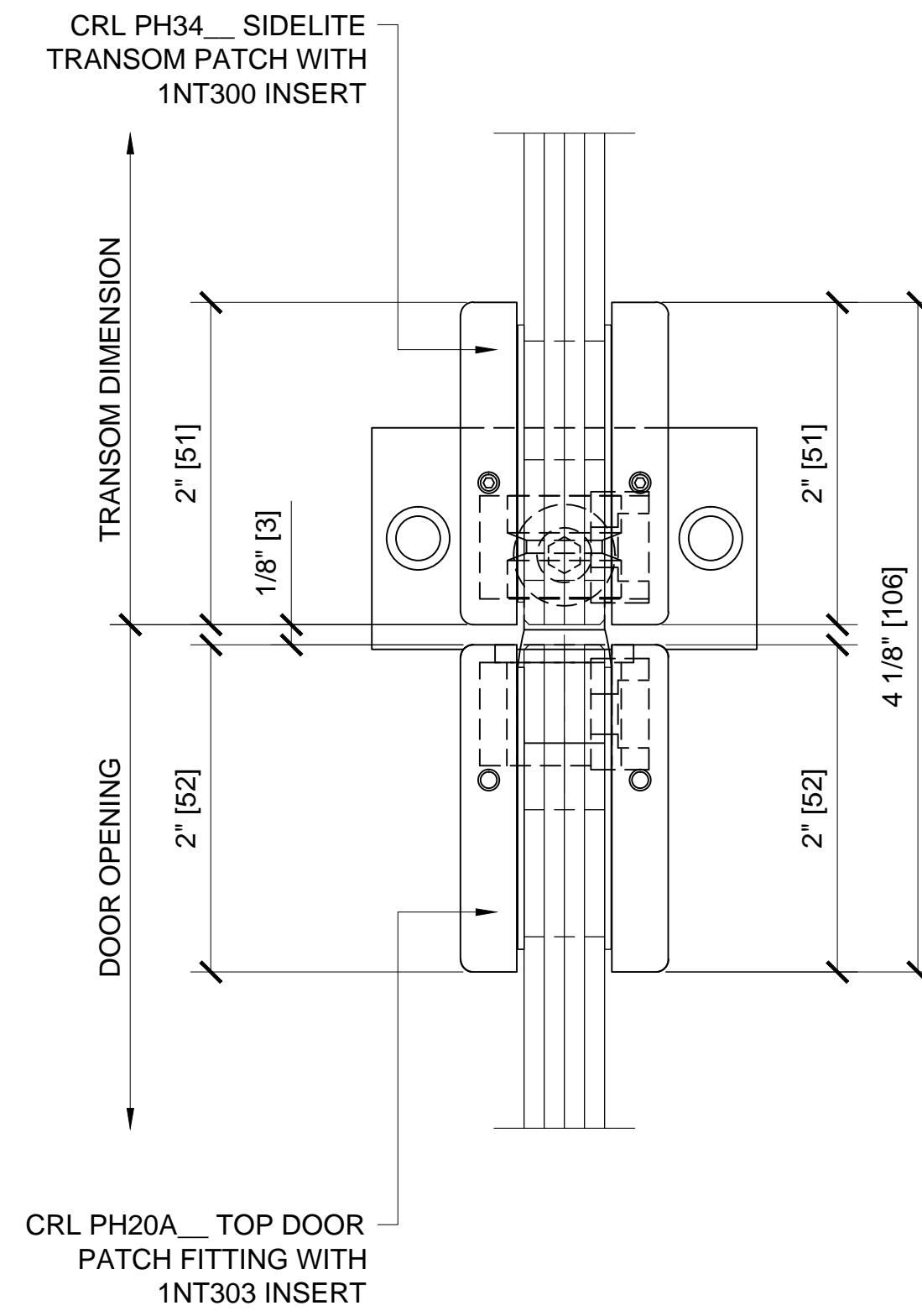
SECTION DETAIL @ TRANSOM

1.1



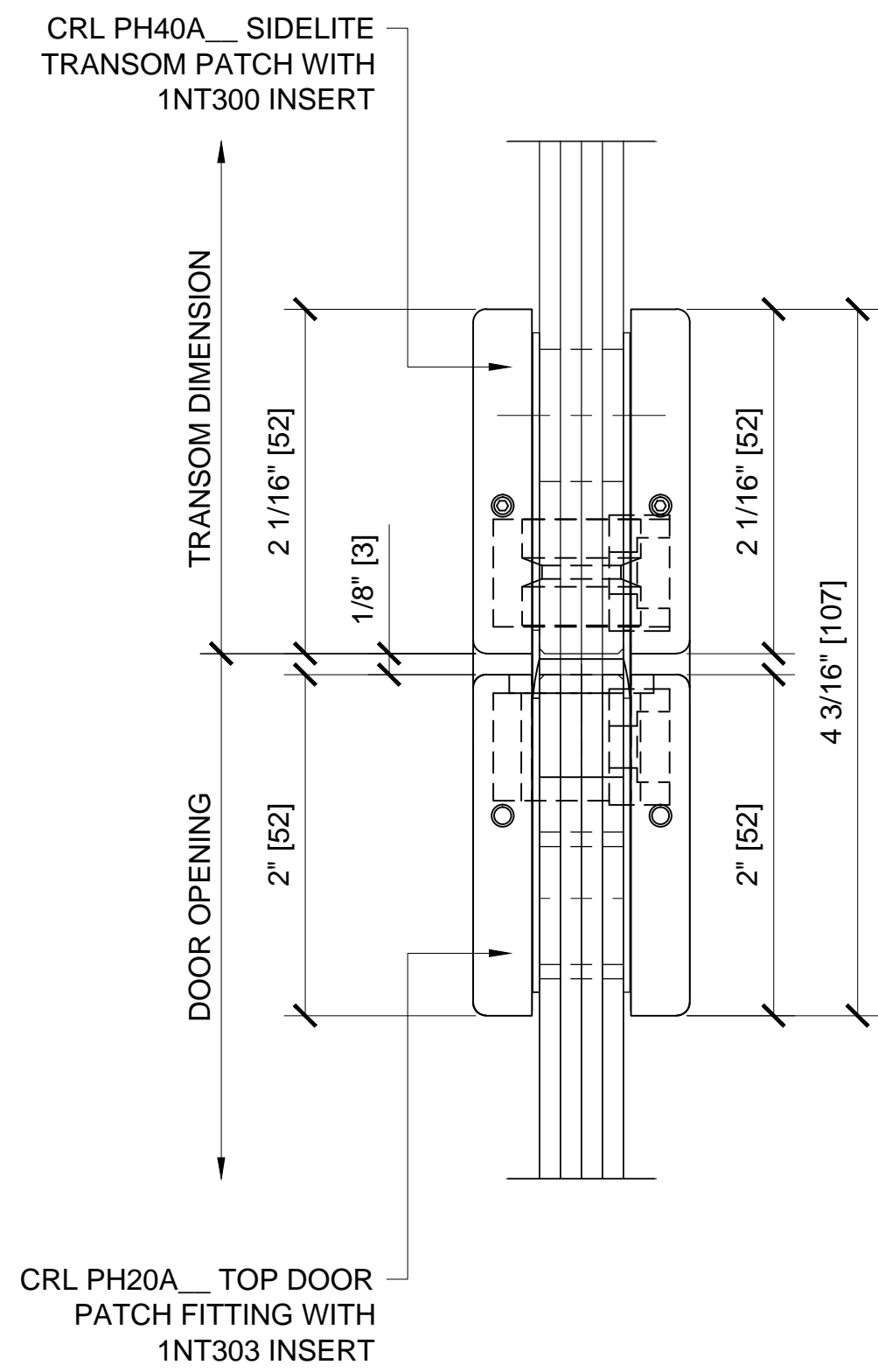
SECTION DETAIL @ SILL

1.3



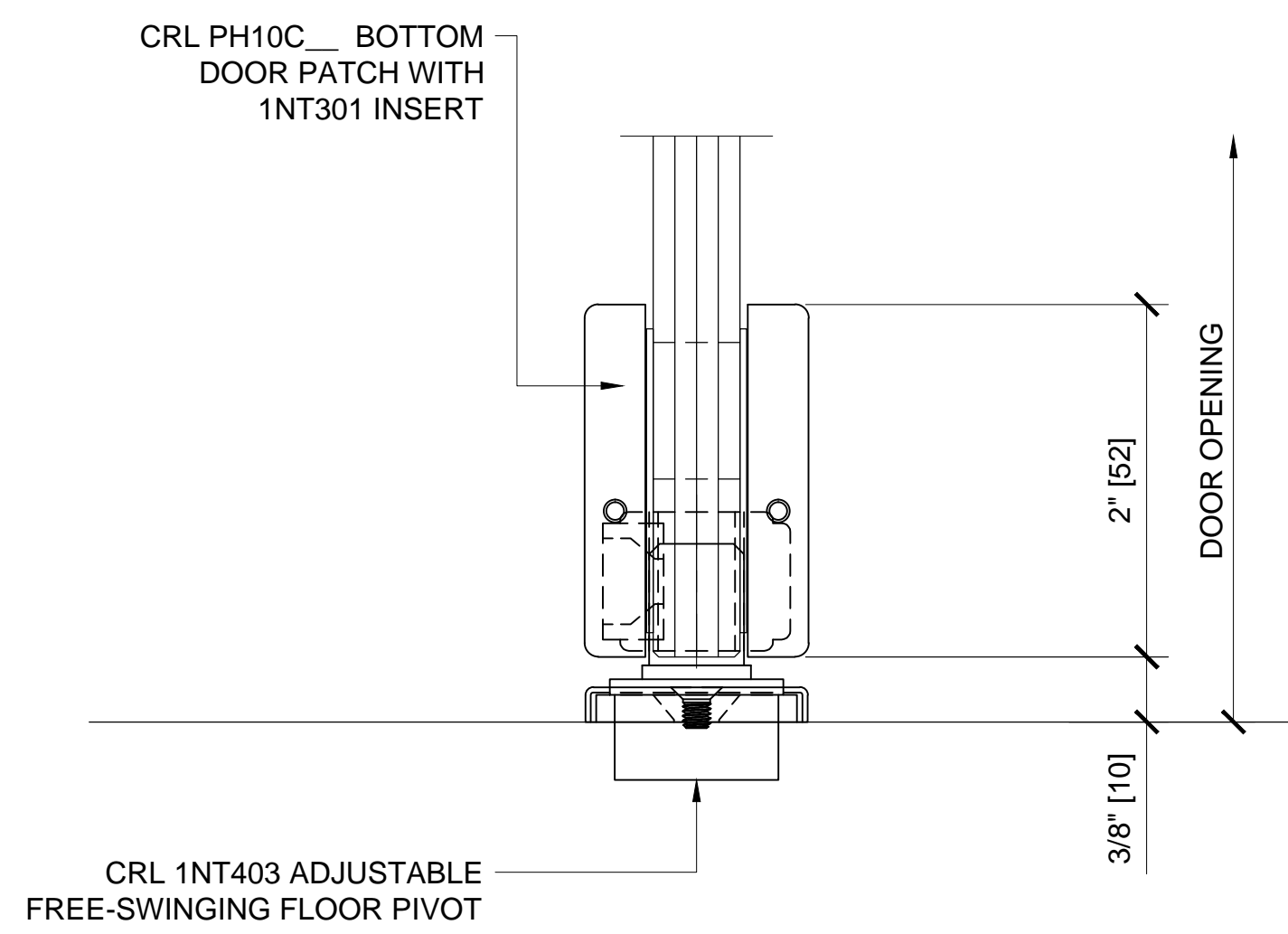
SECTION DETAIL @ SILL

1.5



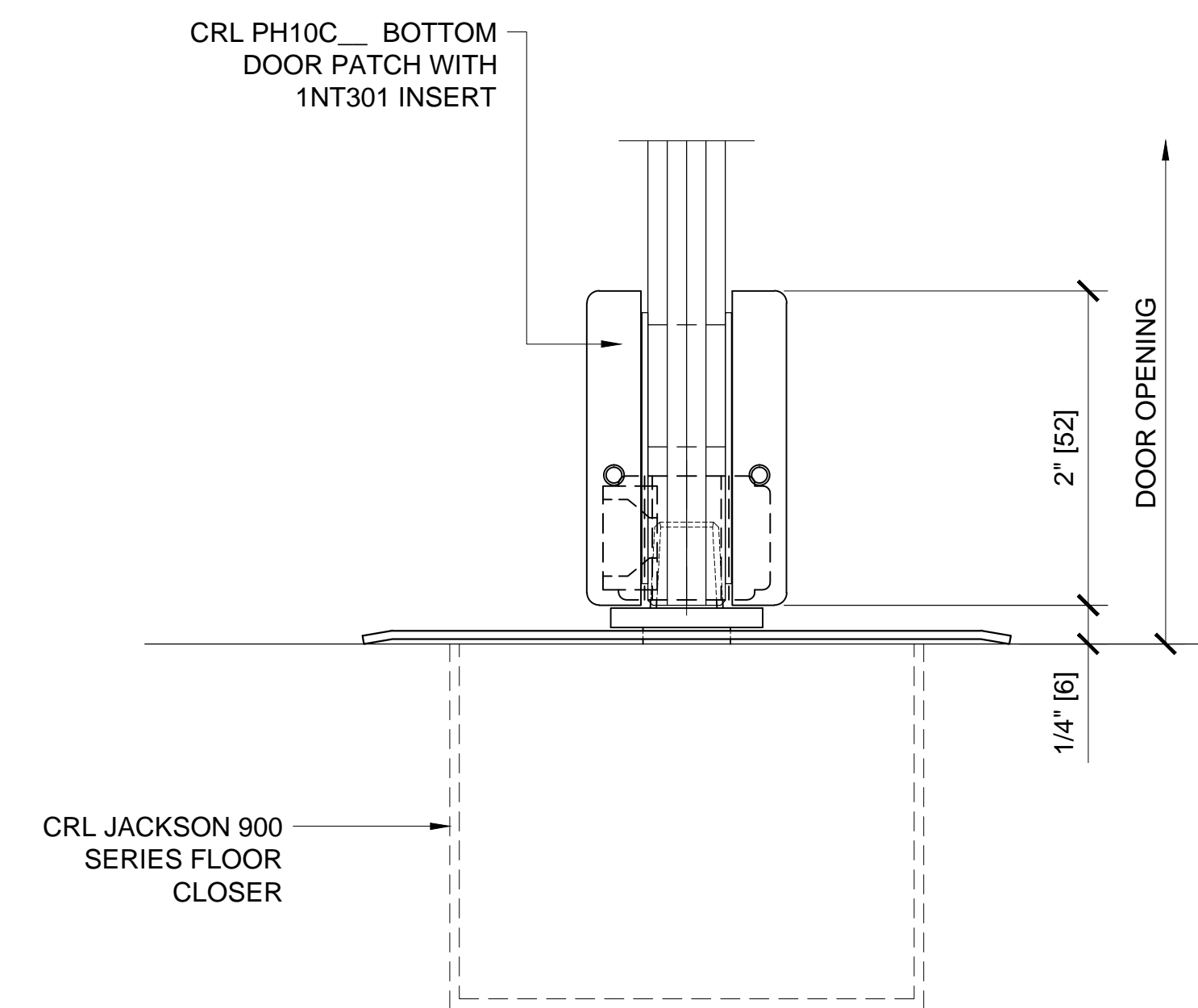
SECTION DETAIL @ TRANSOM

1.2



SECTION DETAIL @ SILL

1.4



SECTION DETAIL @ SILL

1.6

Description:

CRL COMMERCIAL
 PATCH HARDWARE
 NORTH AMERICAN SERIES

Drawn By: AAD
 Date: 1/3/14
 Scale: 1'-0" = 1'-0"
 File Name: PATCH FITTINGS-AMR.dwg

Sheet

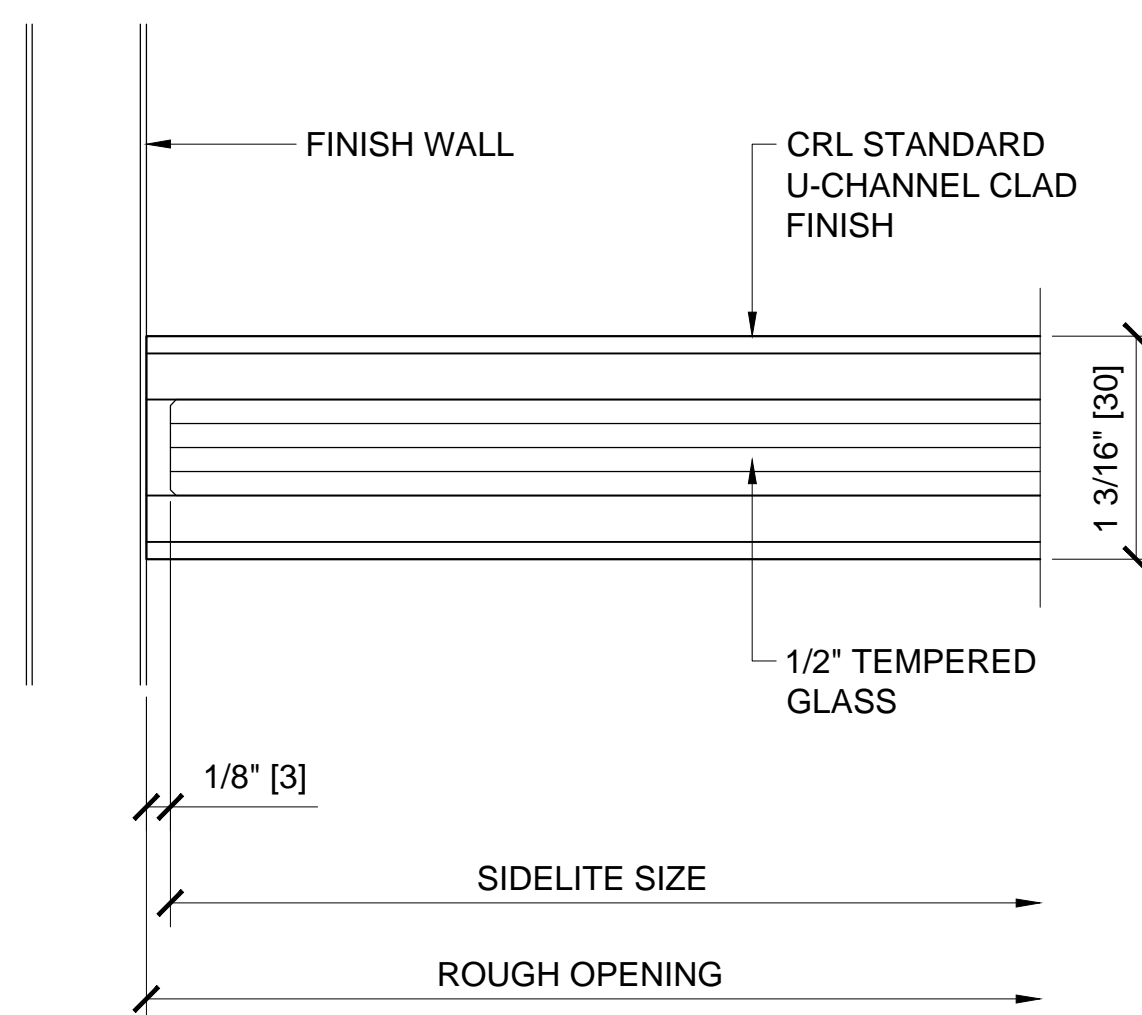
Revisions By:



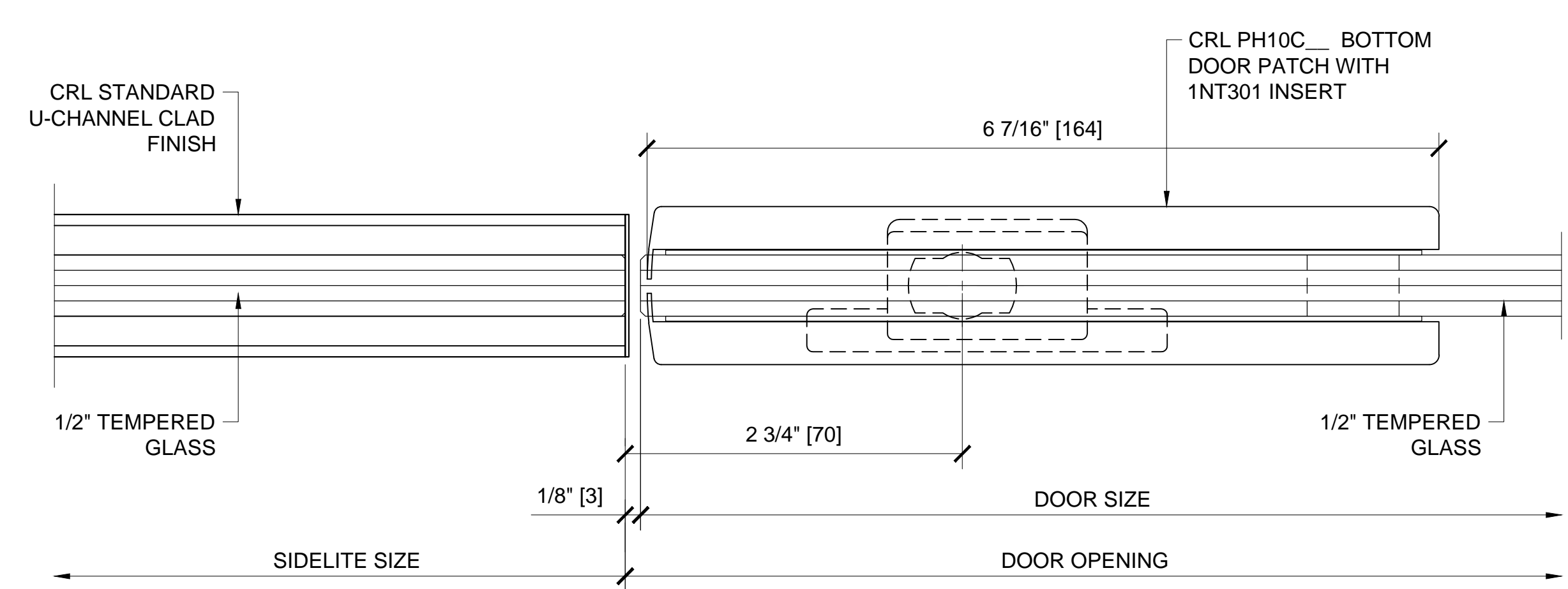
Discription:
CRL COMMERCIAL
PATCH HARDWARE
NORTH AMERICAN SERIES

Drawn By: AAD
Date: 1/3/14
Scale: 1'-0" = 1'-0"
File Name:
PATCH FITTINGS-AMR.dwg

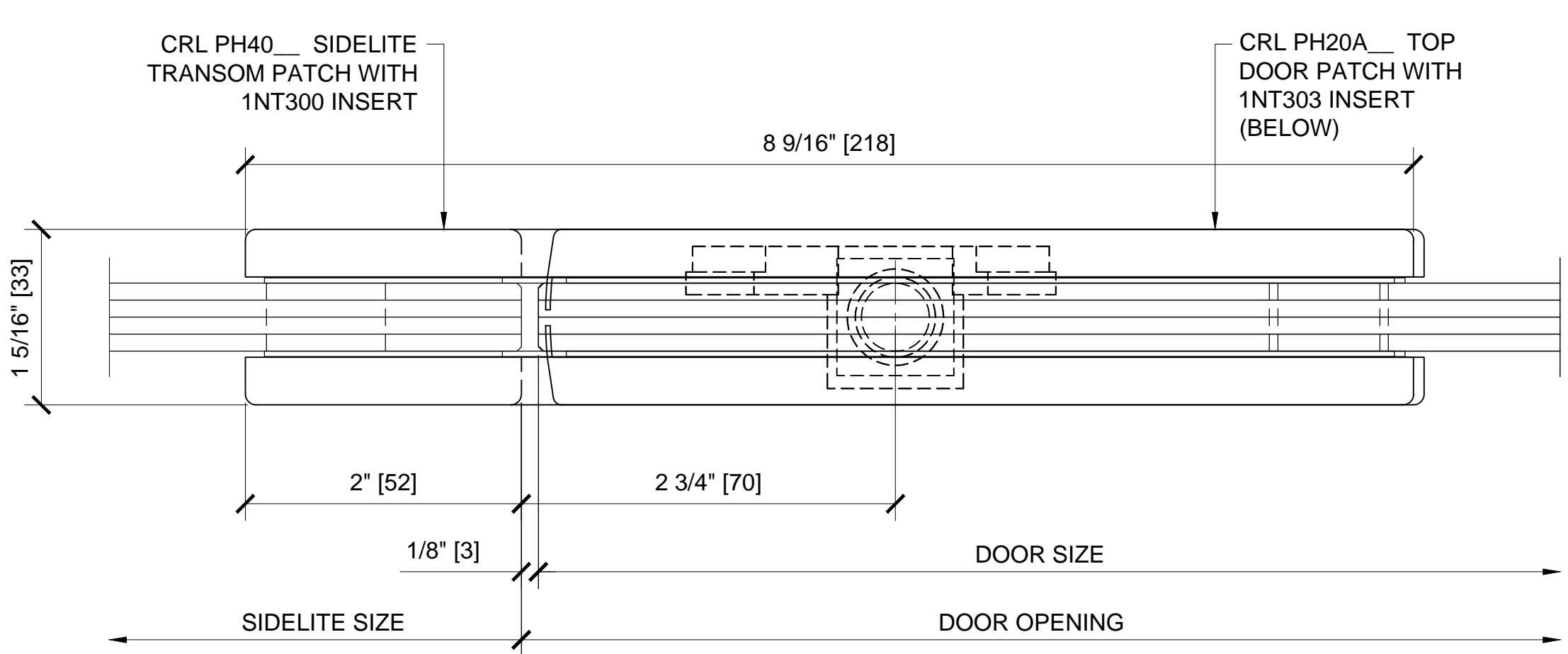
Sheet



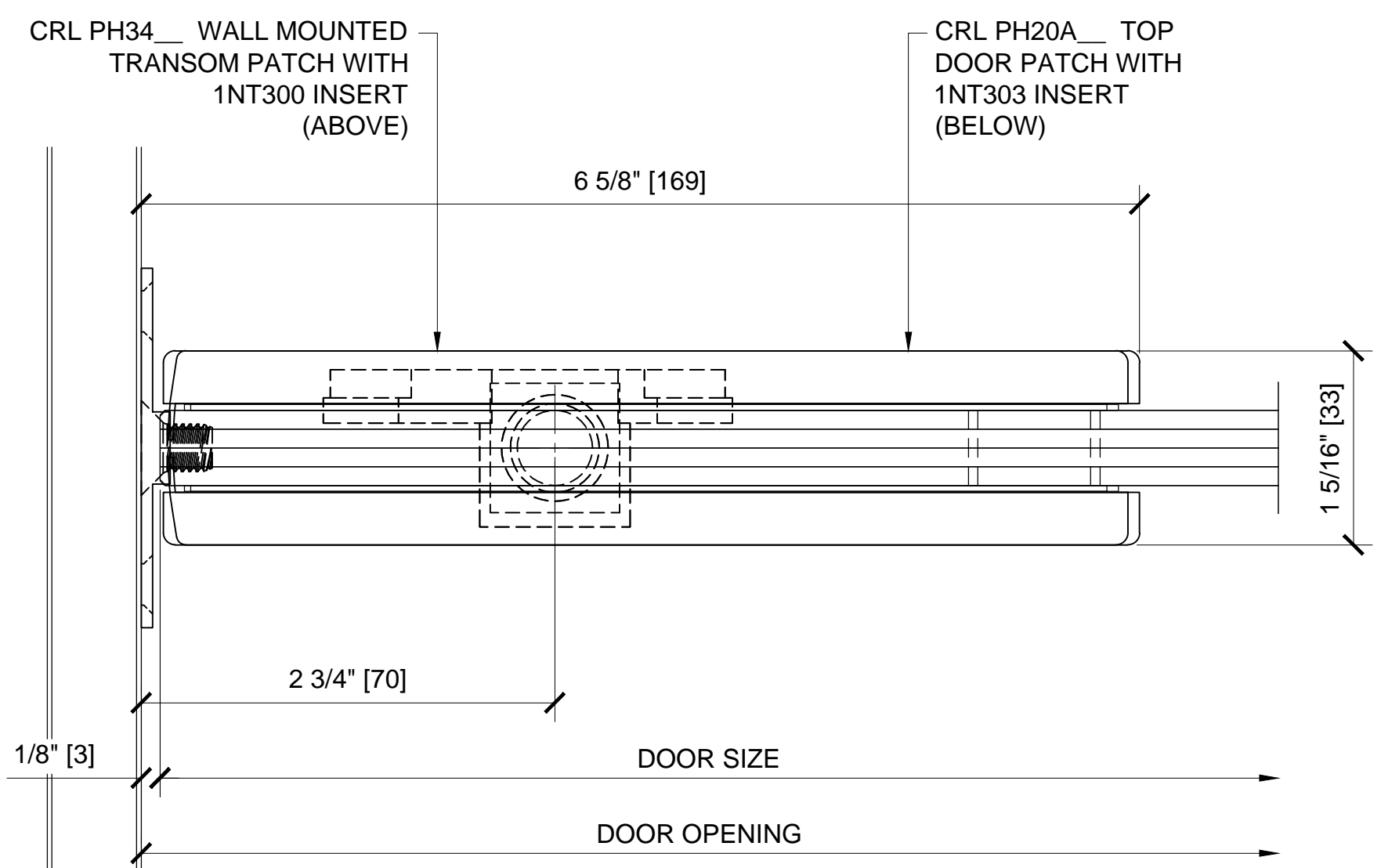
PLAN VIEW @ JAMB 1.7



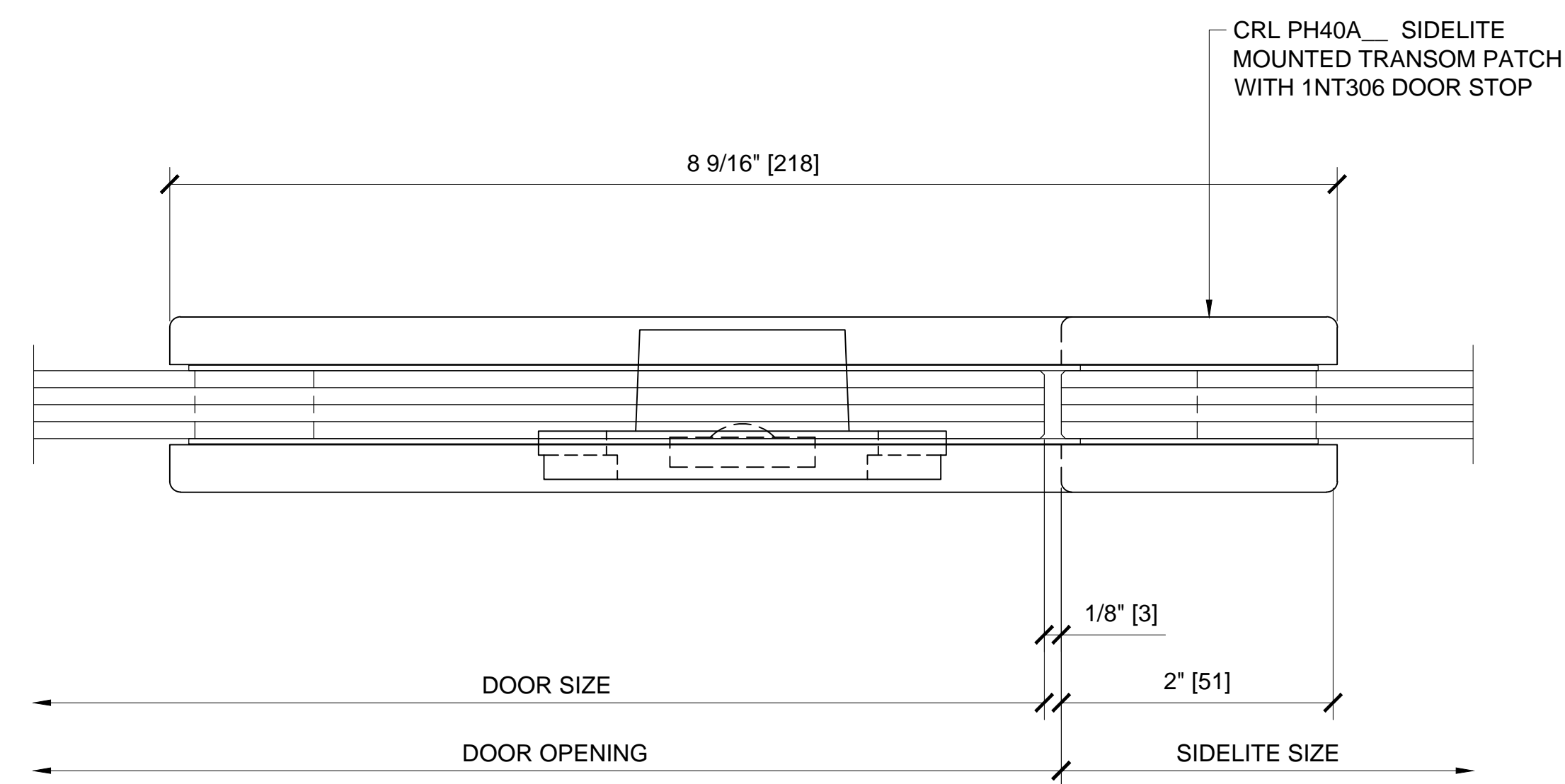
PLAN VIEW @ JAMB 1.8



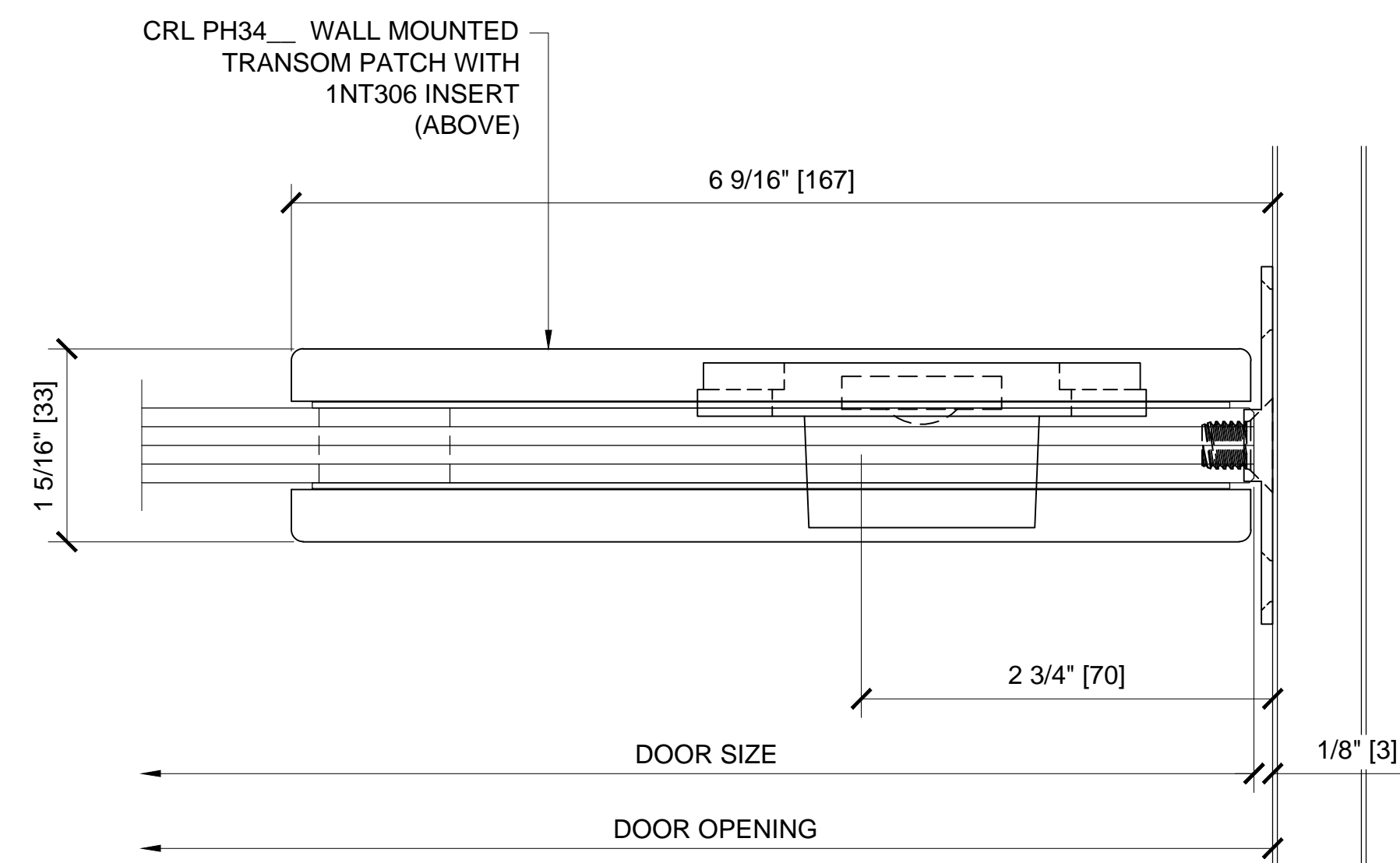
PLAN VIEW @ JAMB 1.9



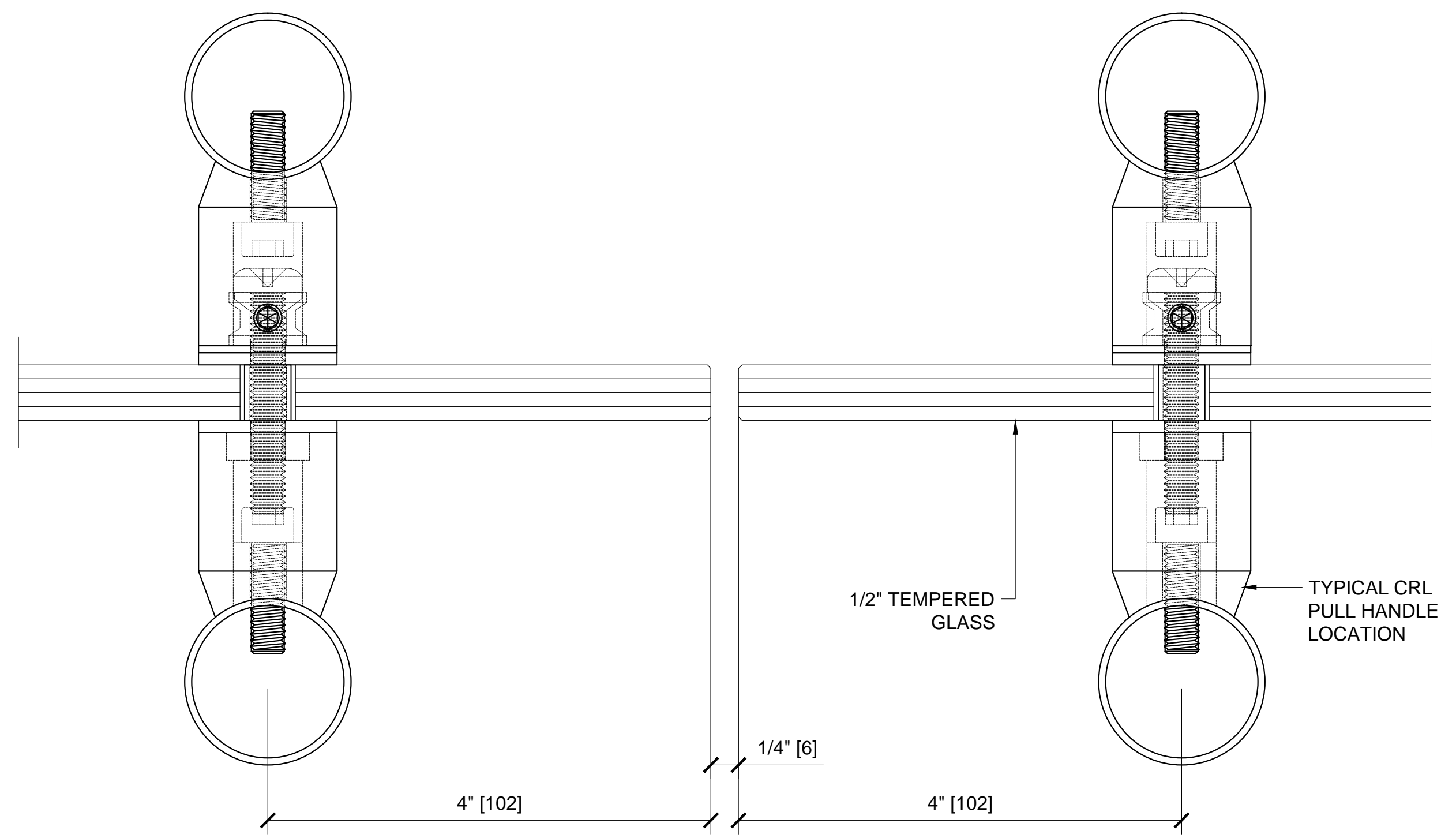
PLAN VIEW @ JAMB 1.10



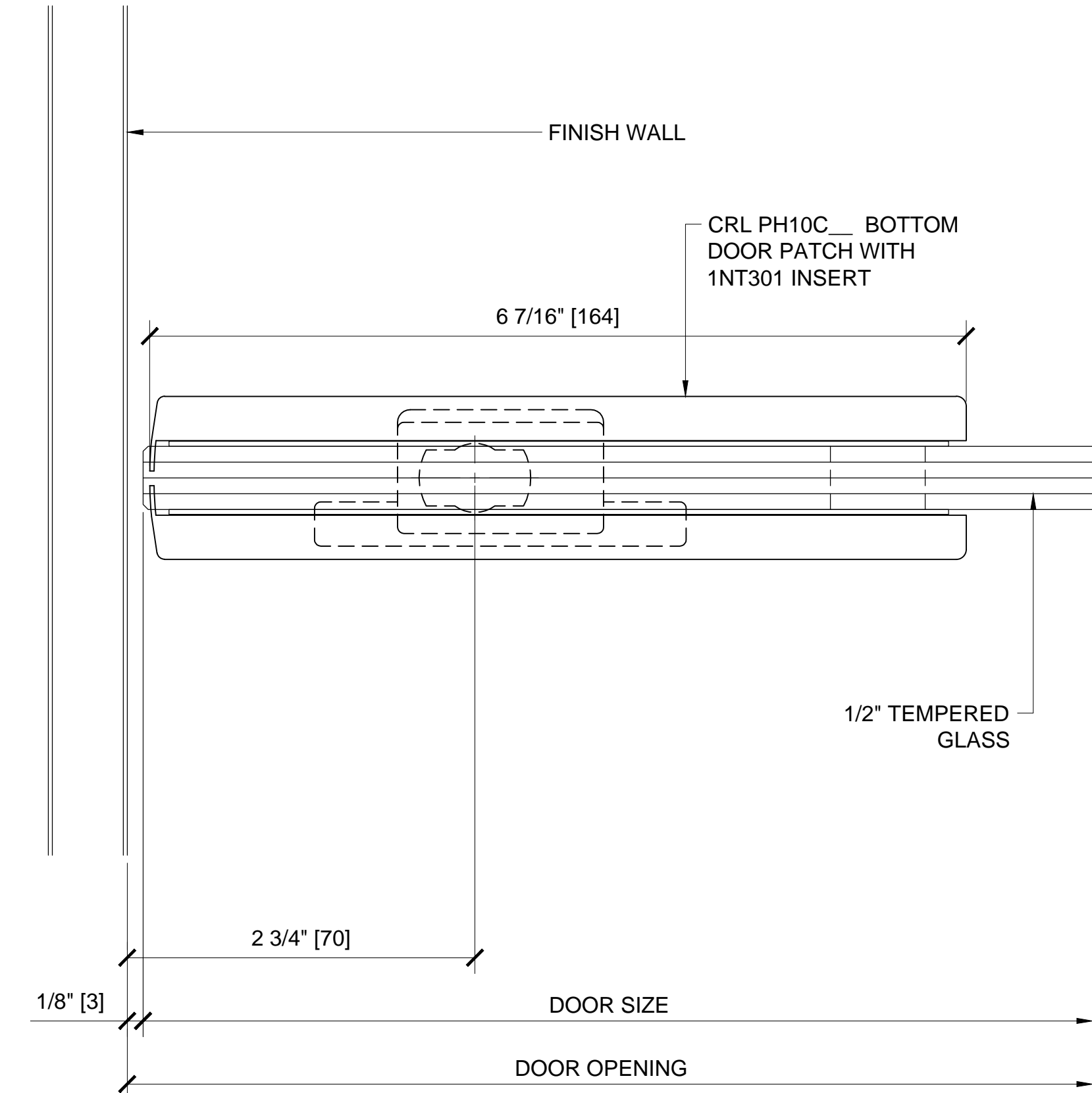
PLAN VIEW @ JAMB 1.11



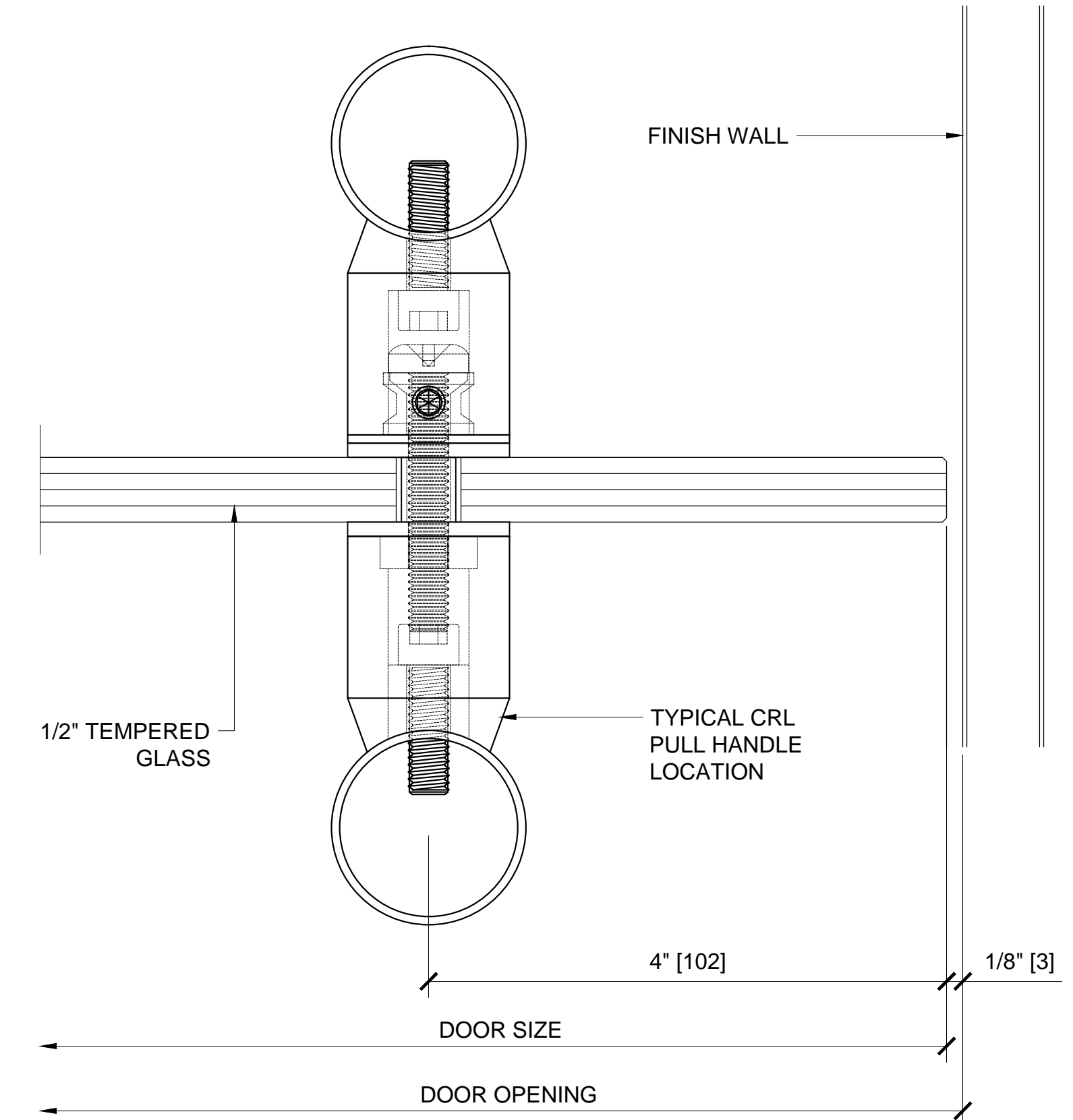
PLAN VIEW @ JAMB 1.12



PLAN VIEW @ MEETING SECTION 1.13

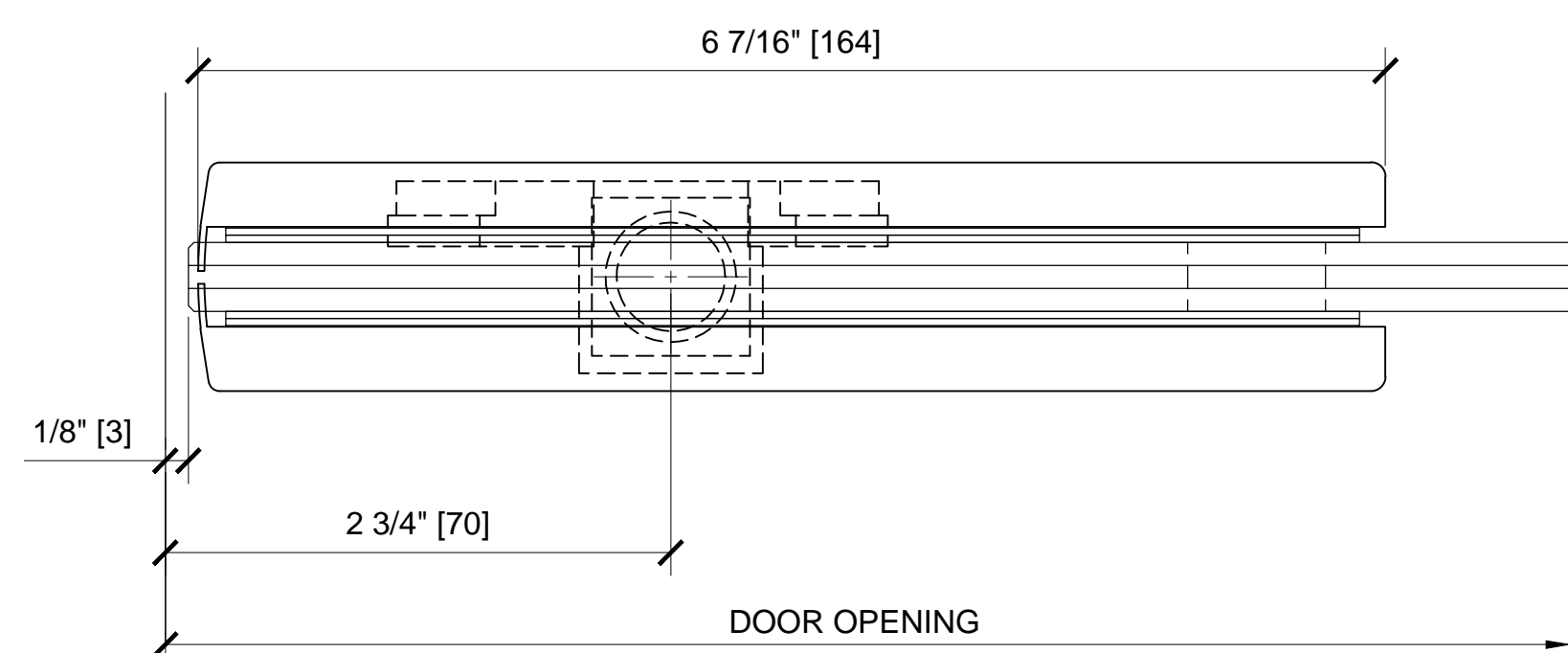


PLAN VIEW @ JAMB 1.14

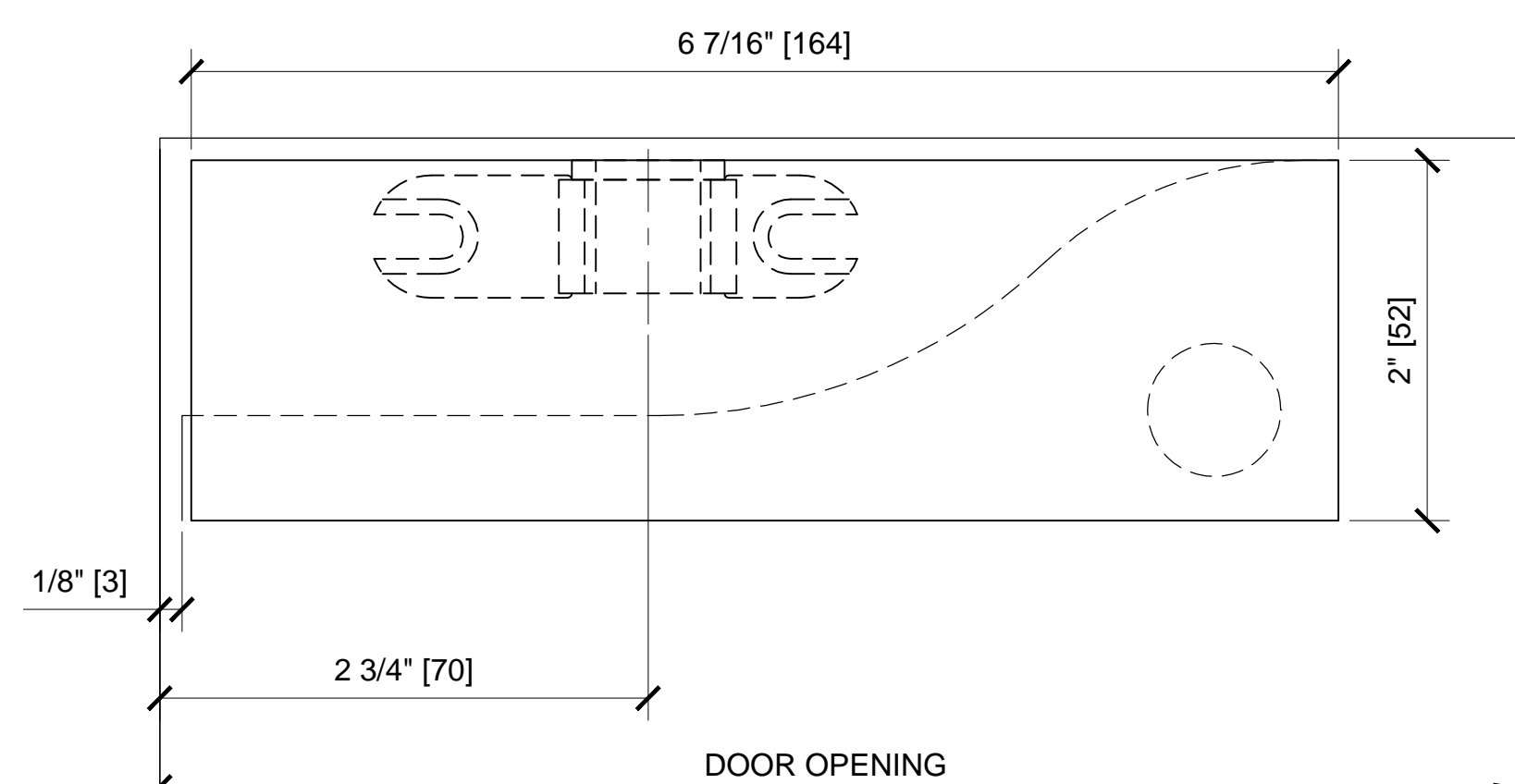


PLAN VIEW @ JAMB 1.15

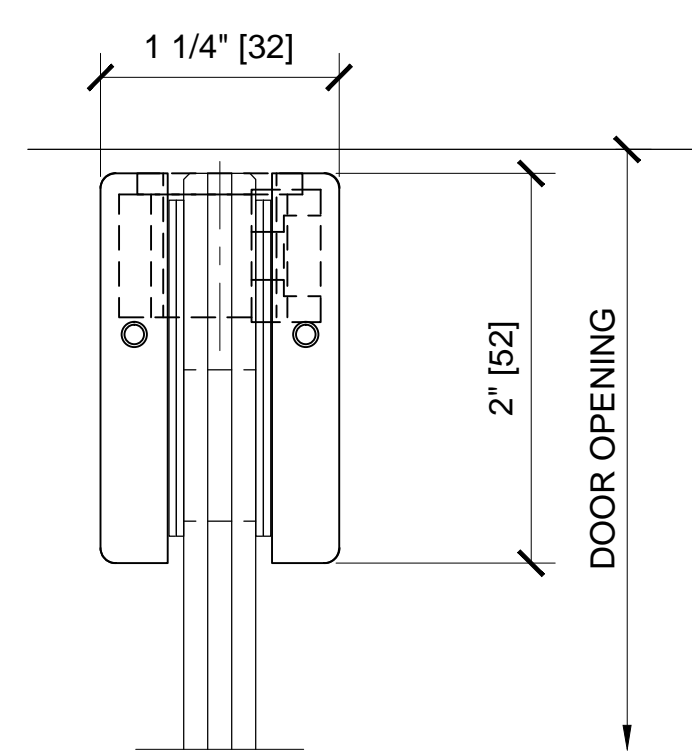
Revisions By:



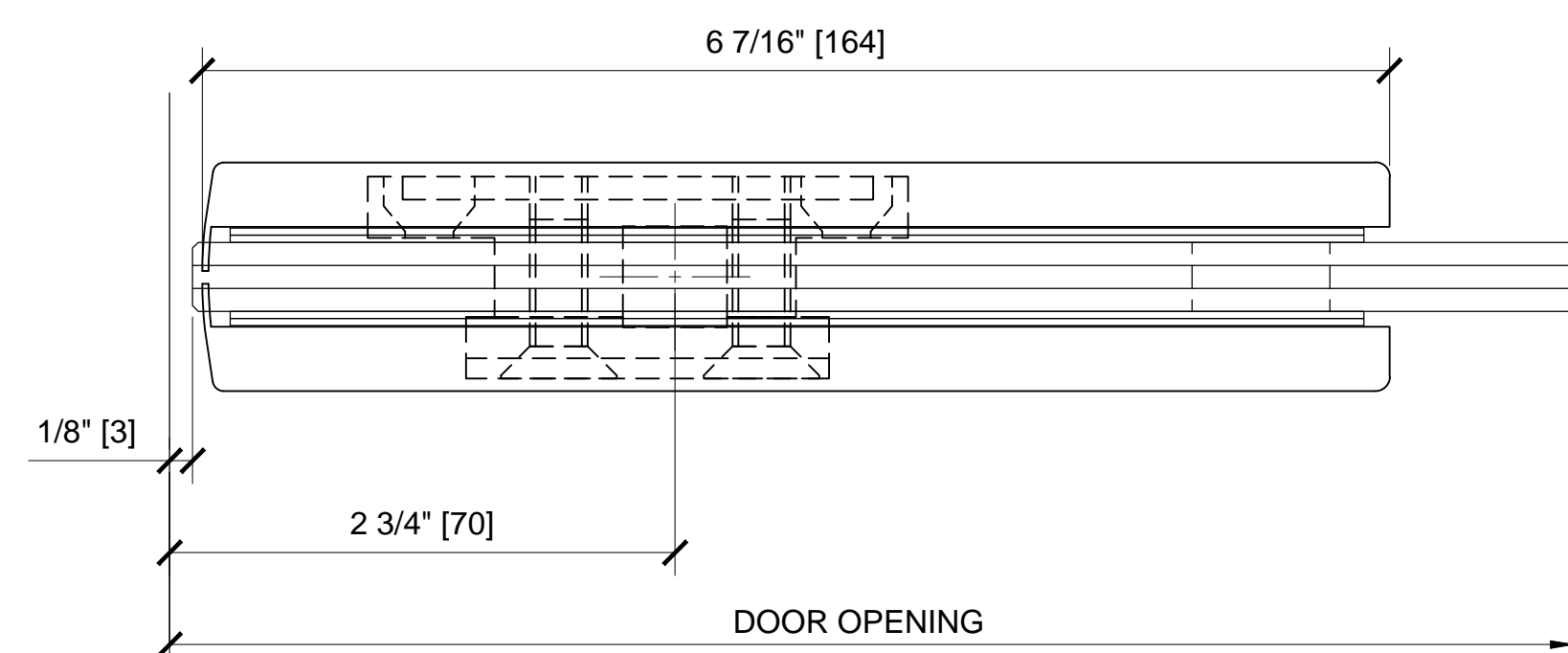
TOP VIEW



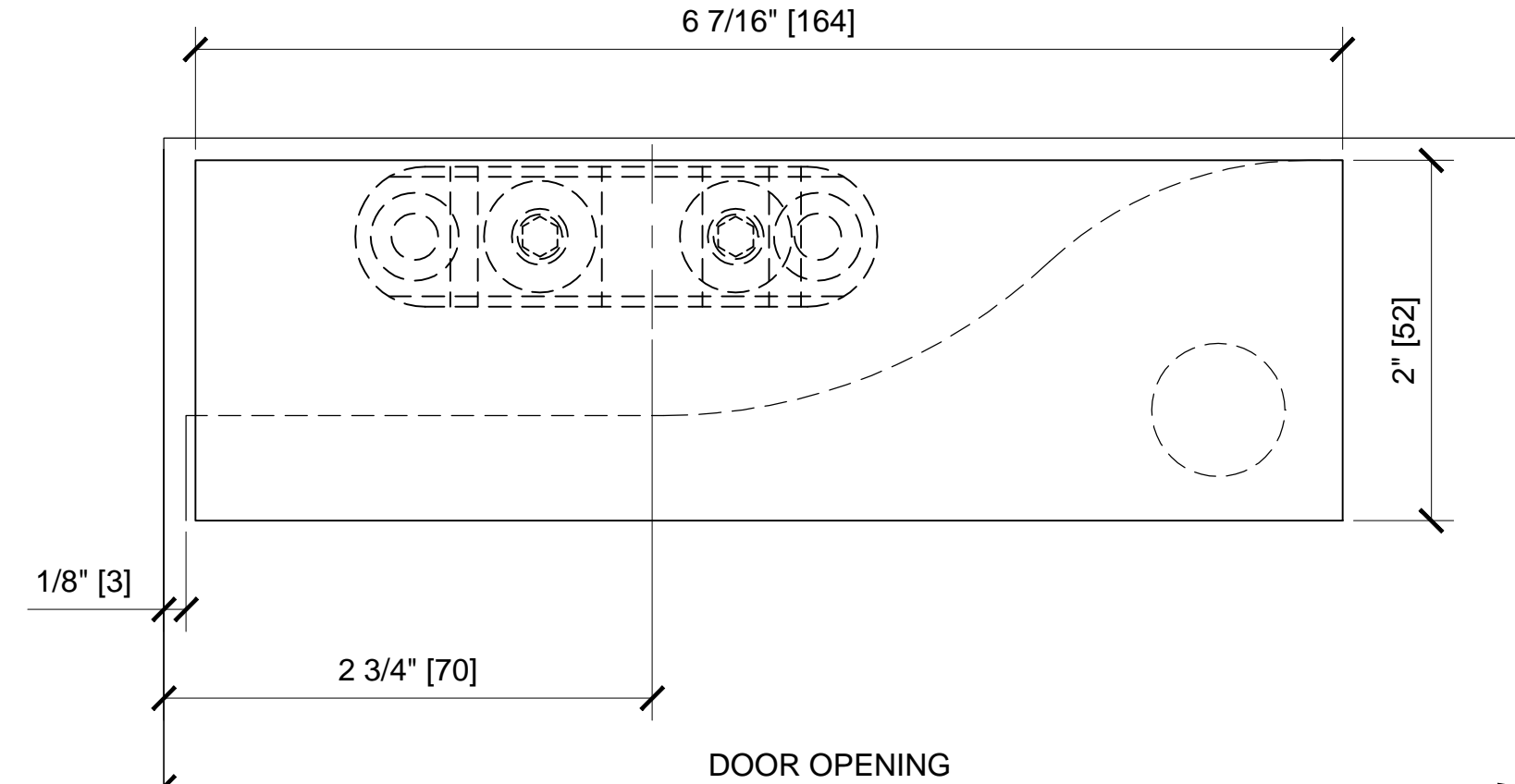
FRONT VIEW



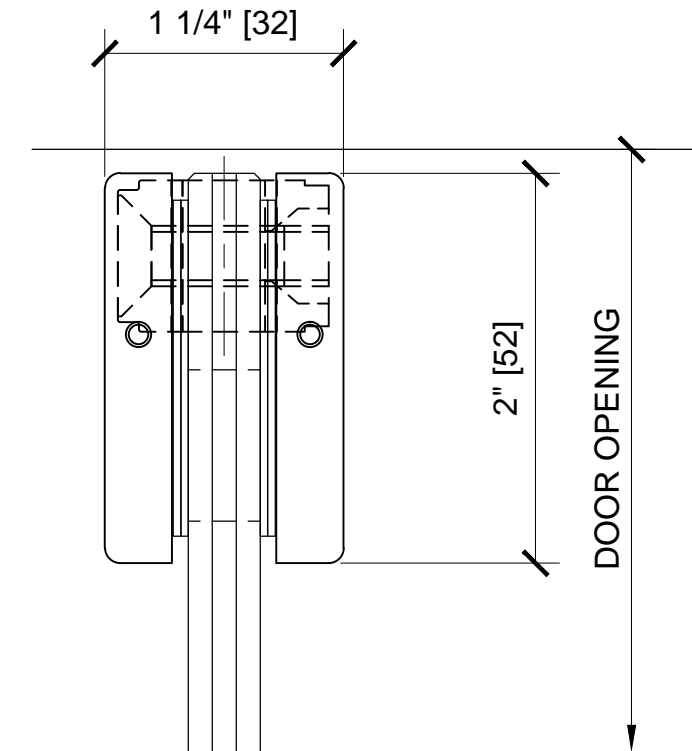
SIDE VIEW



TOP VIEW



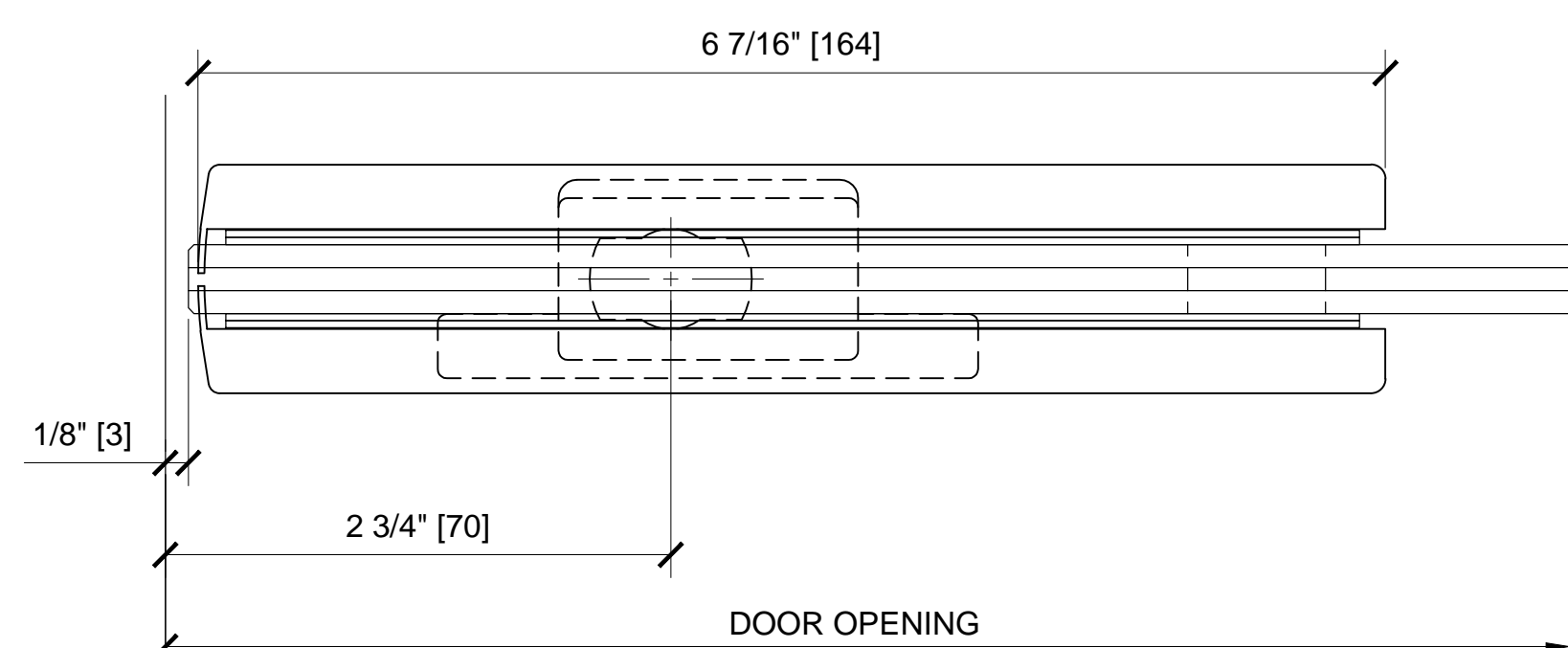
FRONT VIEW



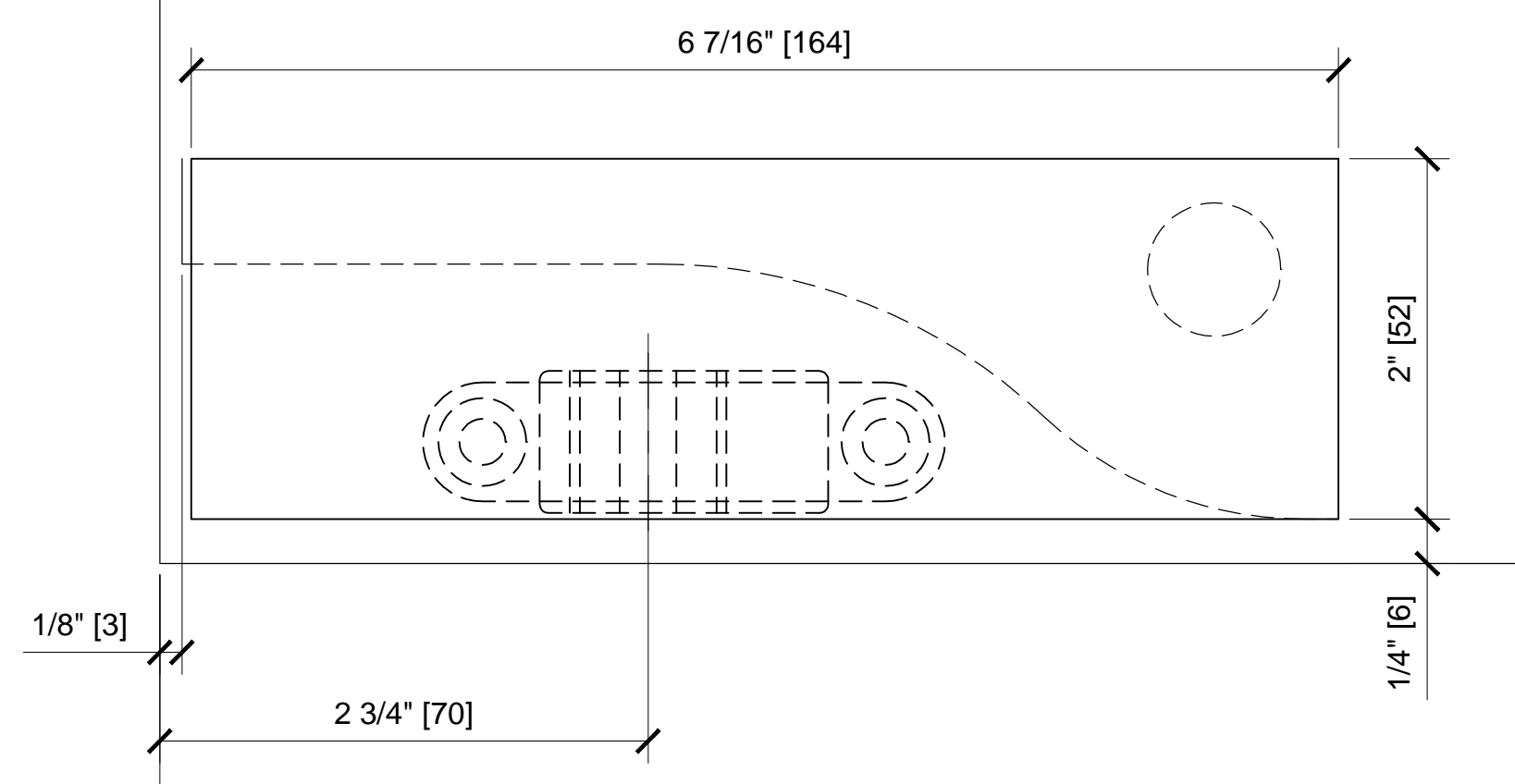
SIDE VIEW

PH20A - TOP DOOR PATCH FITTING W/ 1NT303 INSERT

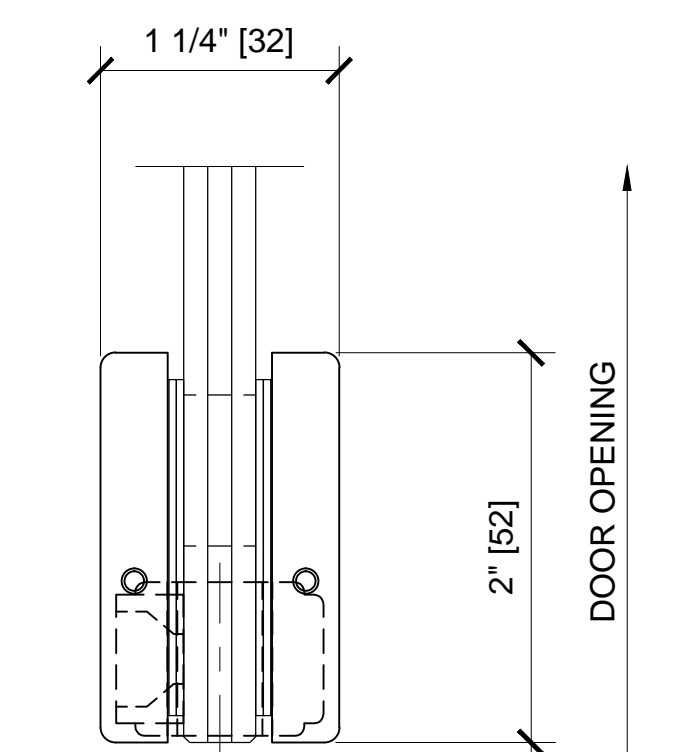
PH20B - TOP DOOR PATCH FITTING W/ 1NT304 INSERT



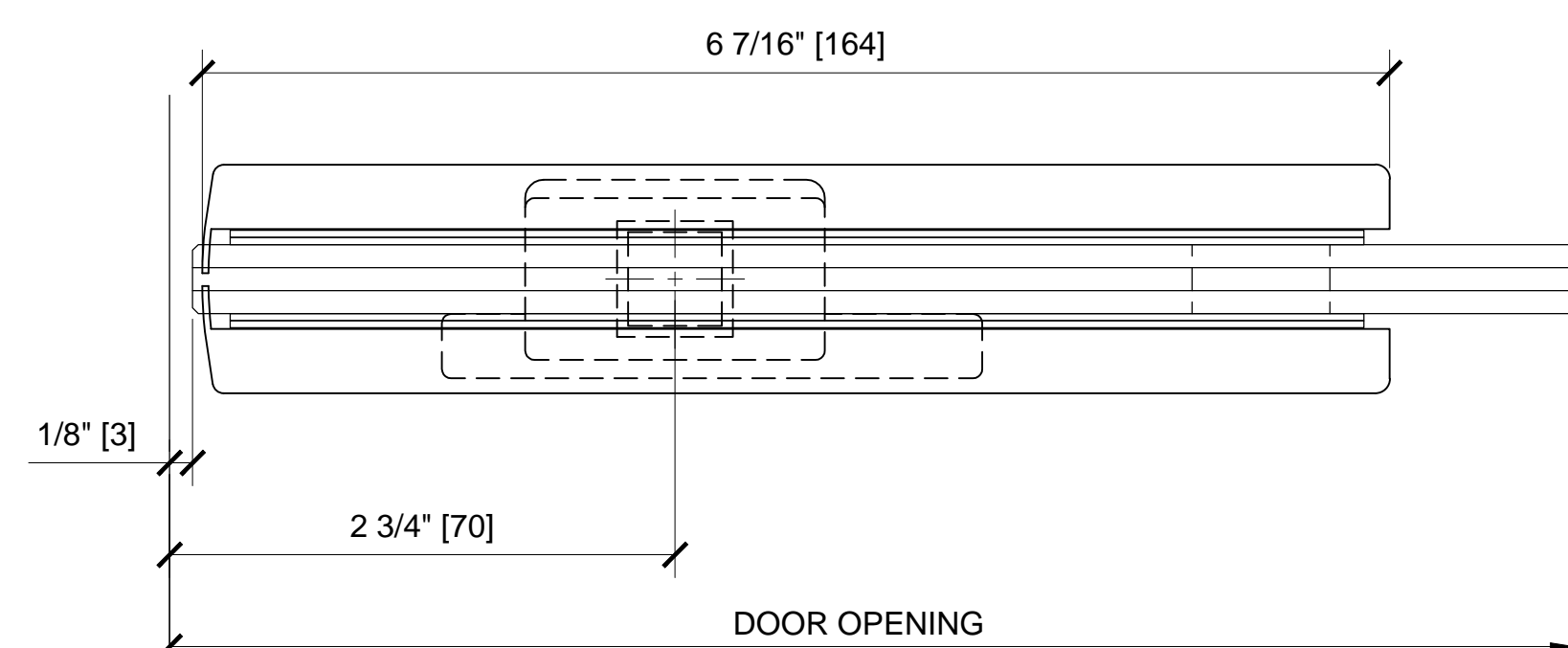
TOP VIEW



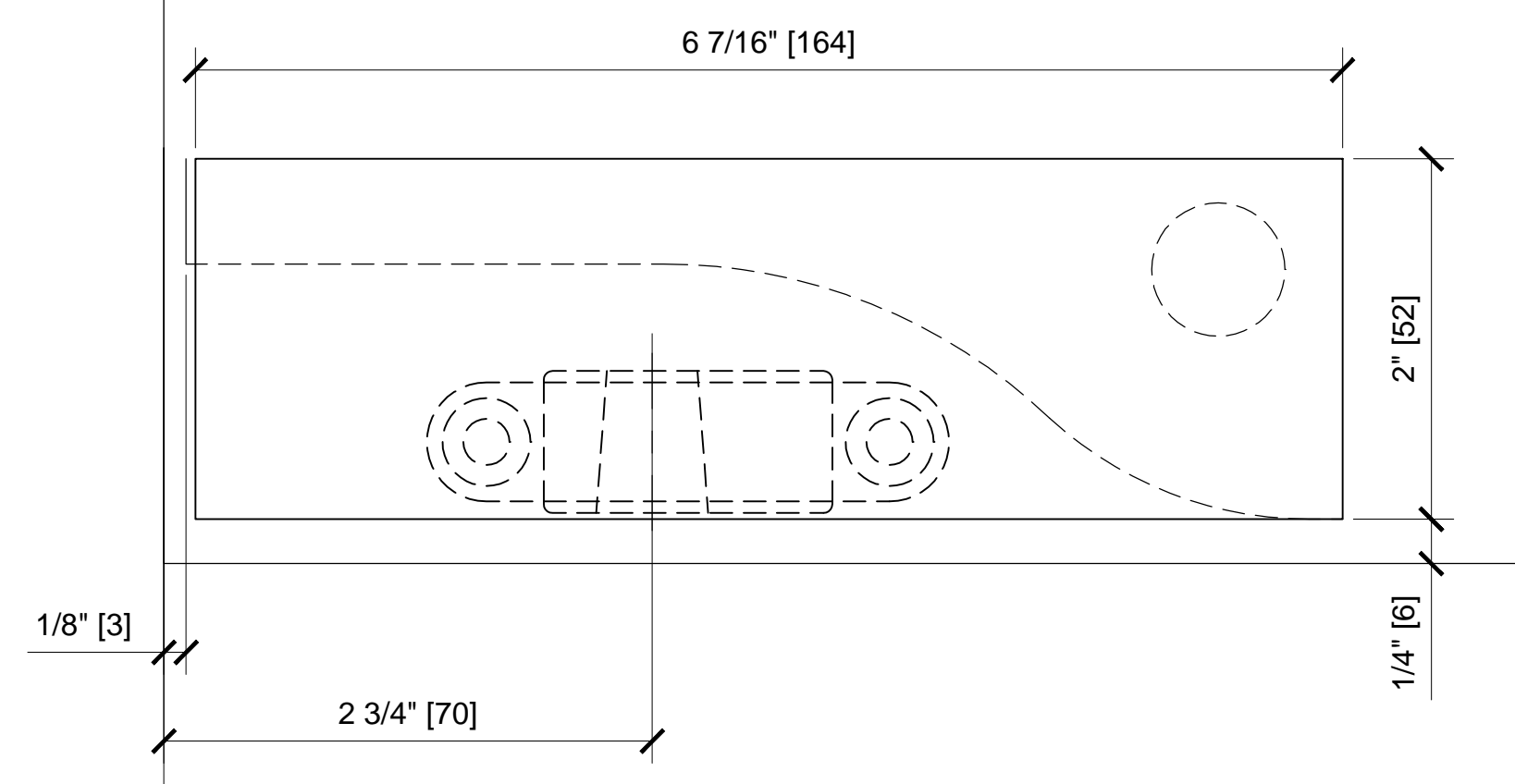
FRONT VIEW



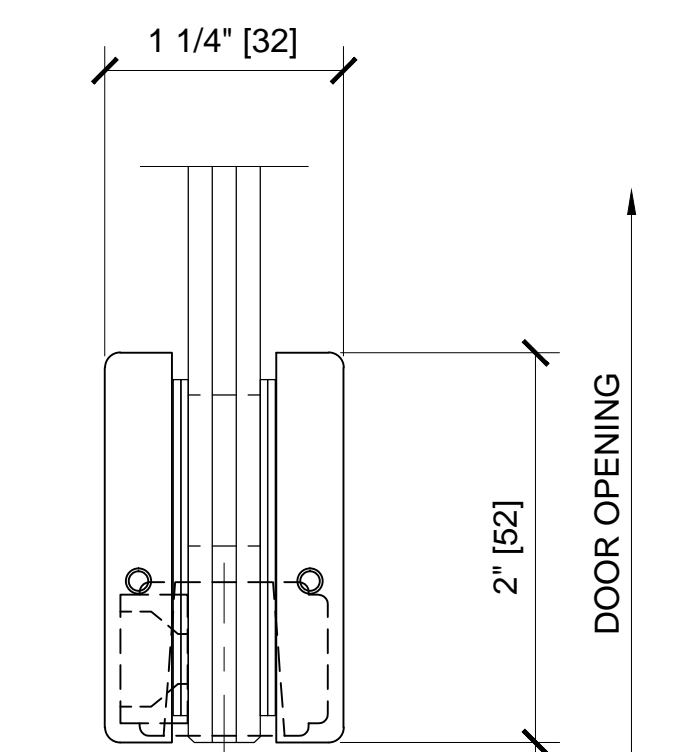
SIDE VIEW



TOP VIEW



FRONT VIEW



SIDE VIEW

PH10C - BOTTOM DOOR PATCH FITTING W/ 1NT301 INSERT

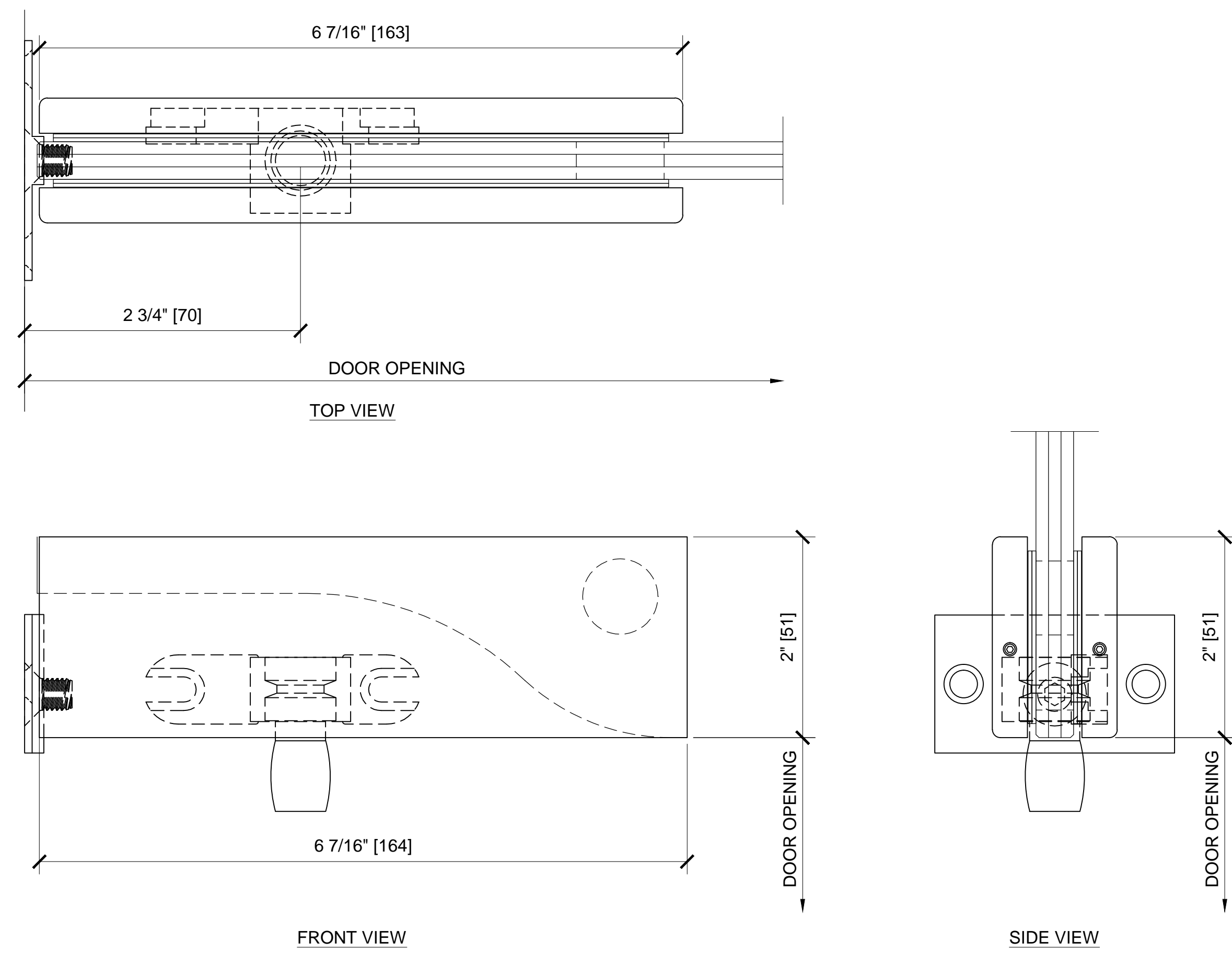
PH10D - BOTTOM DOOR PATCH FITTING W/ 1NT302 INSERT

Description:

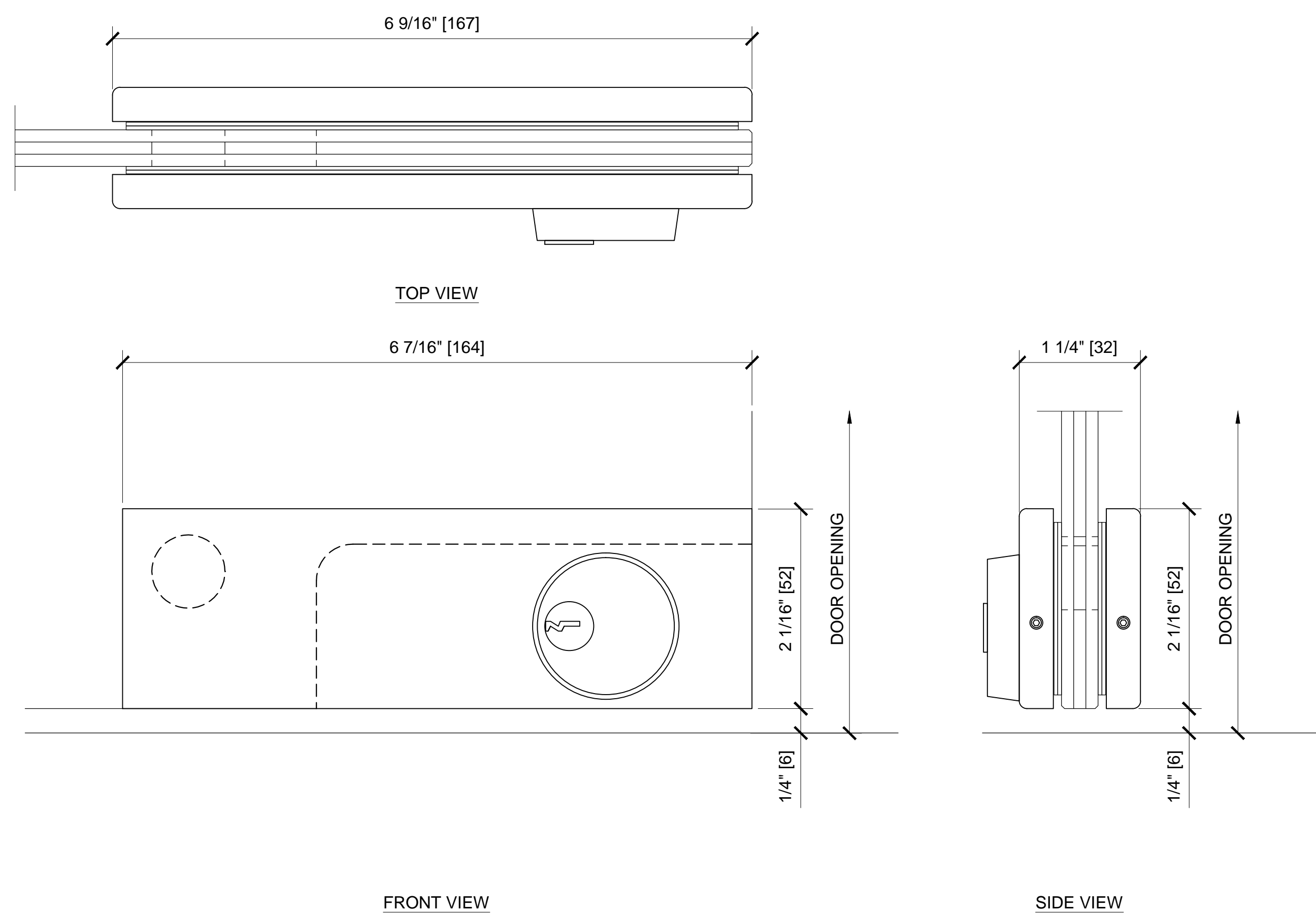
CRL COMMERCIAL
PATCH HARDWARE
NORTH AMERICAN SERIES

Drawn By: AAD
Date: 1/3/14
Scale: 1'-0" = 1'-0"
File Name: PATCH FITTINGS-AMR.dwg

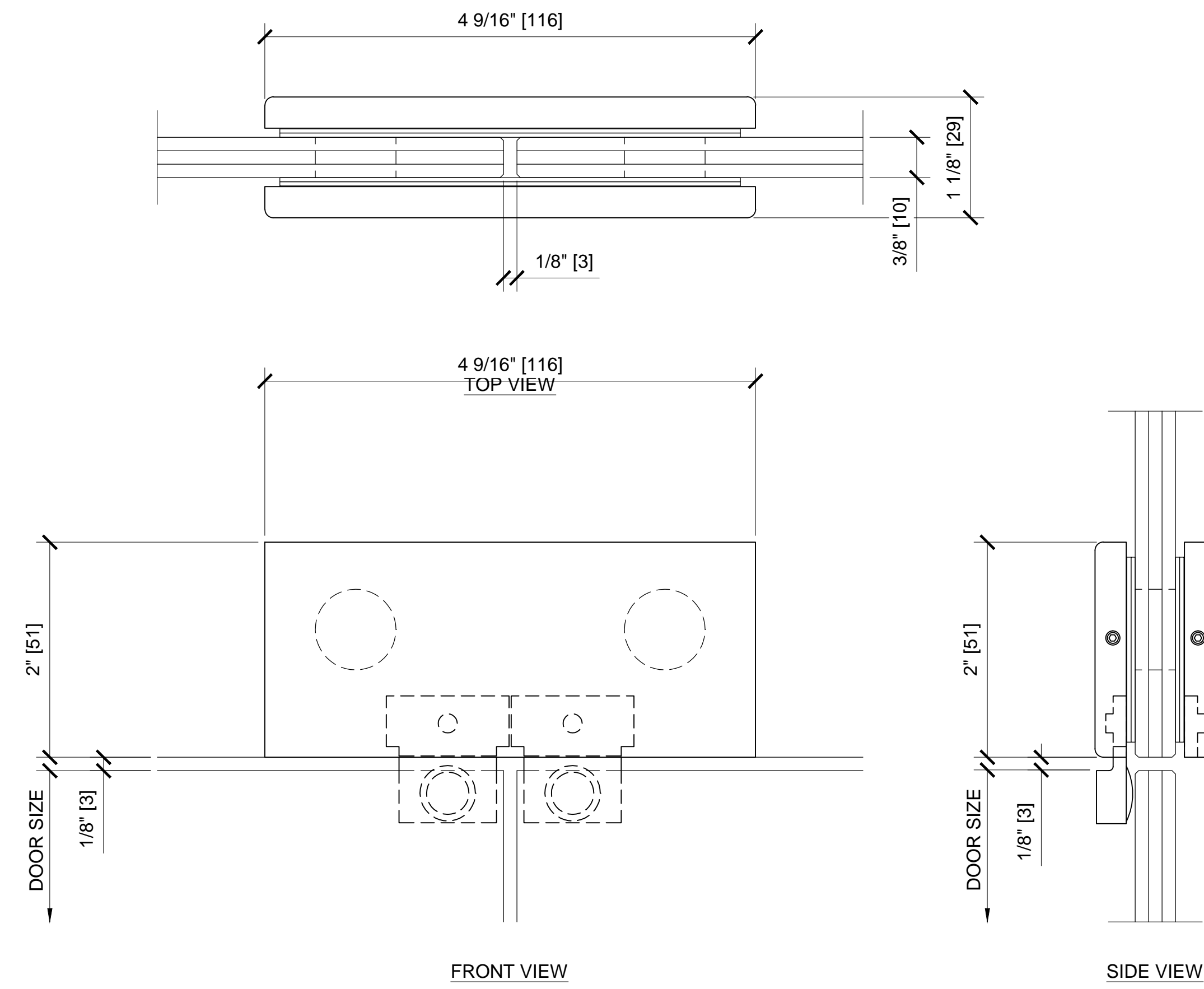
Sheet



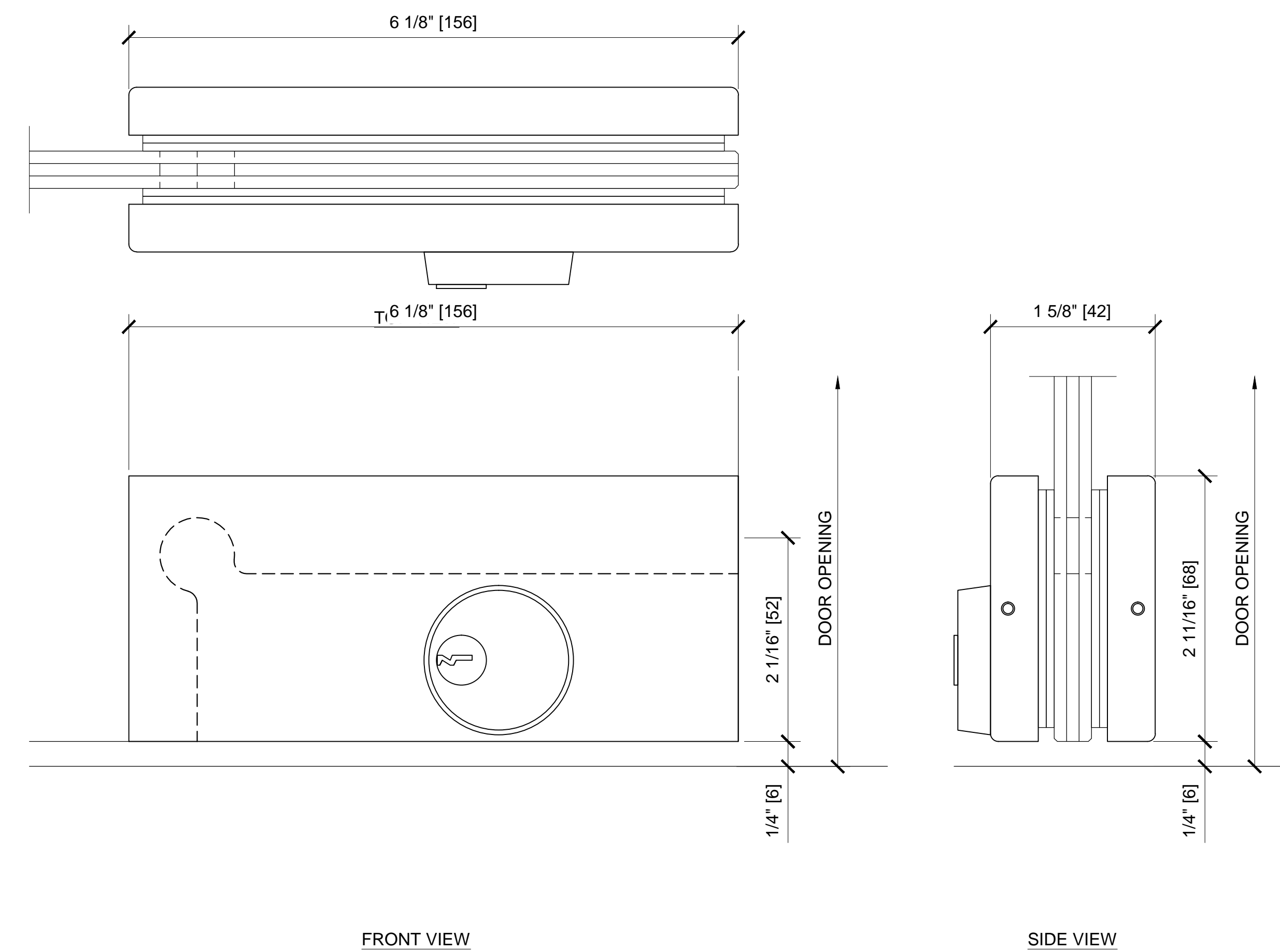
PH34 - WALL MOUNTED TRANSOM PATCH



AMR205 - AMR SERIES PATCH LOCK



PH70 - TRANSOM MOUNTED PATCH



AMR215 - AMR SERIES PATCH LOCK

Revisions By:

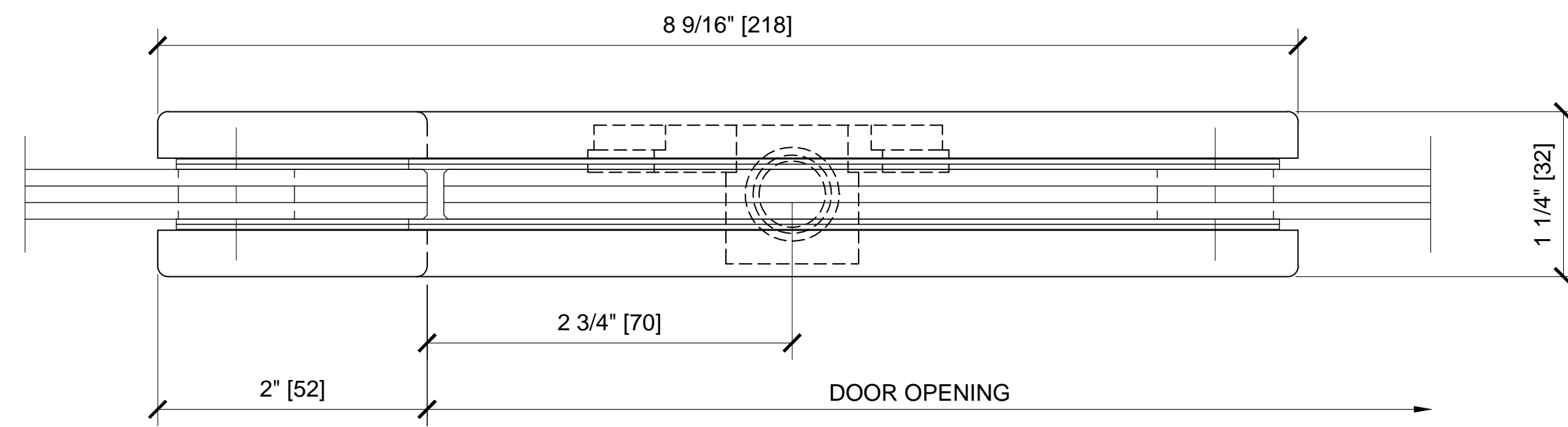


Description:
CRL COMMERCIAL
PATCH HARDWARE
NORTH AMERICAN SERIES

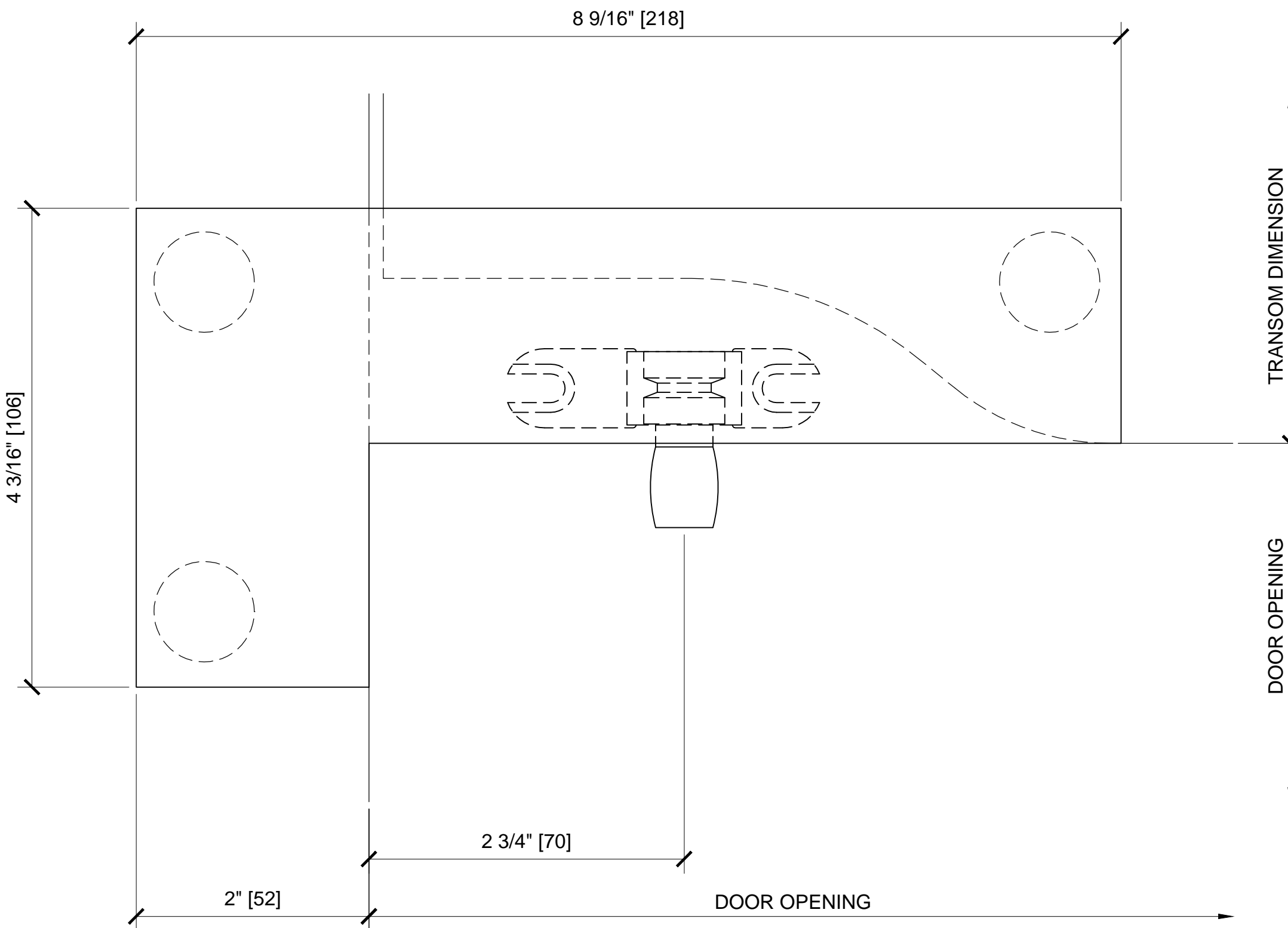
Drawn By: AAD
Date: 1/3/14
Scale: 1'-0"=1'-0"
File Name:
PATCH FITTINGS-AMR.dwg

Sheet

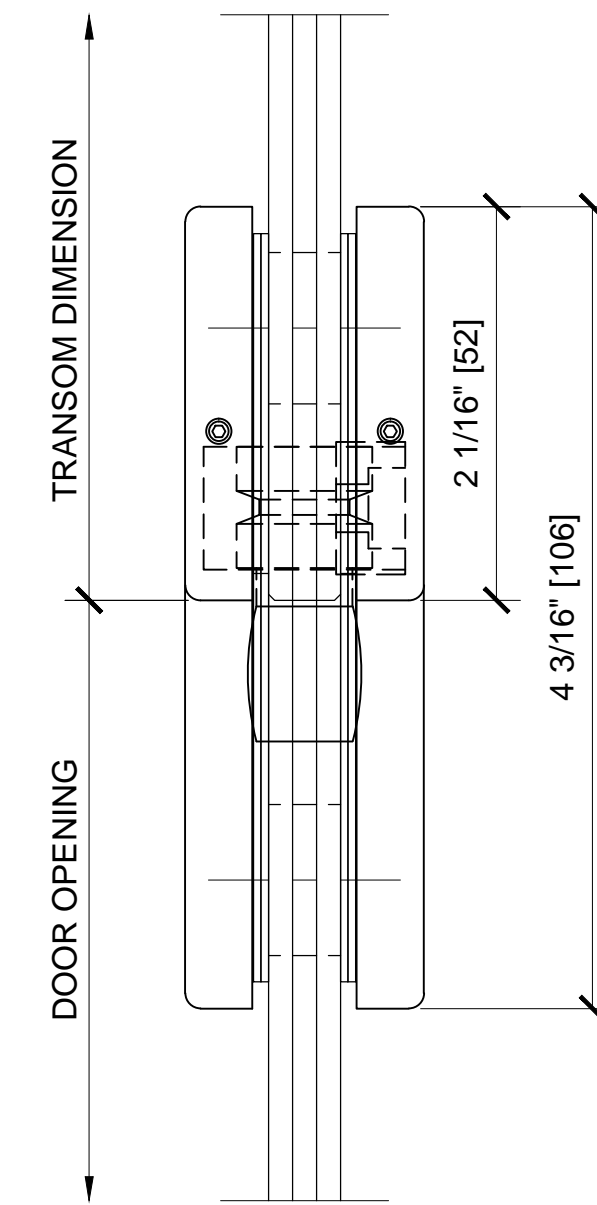
5



TOP VIEW

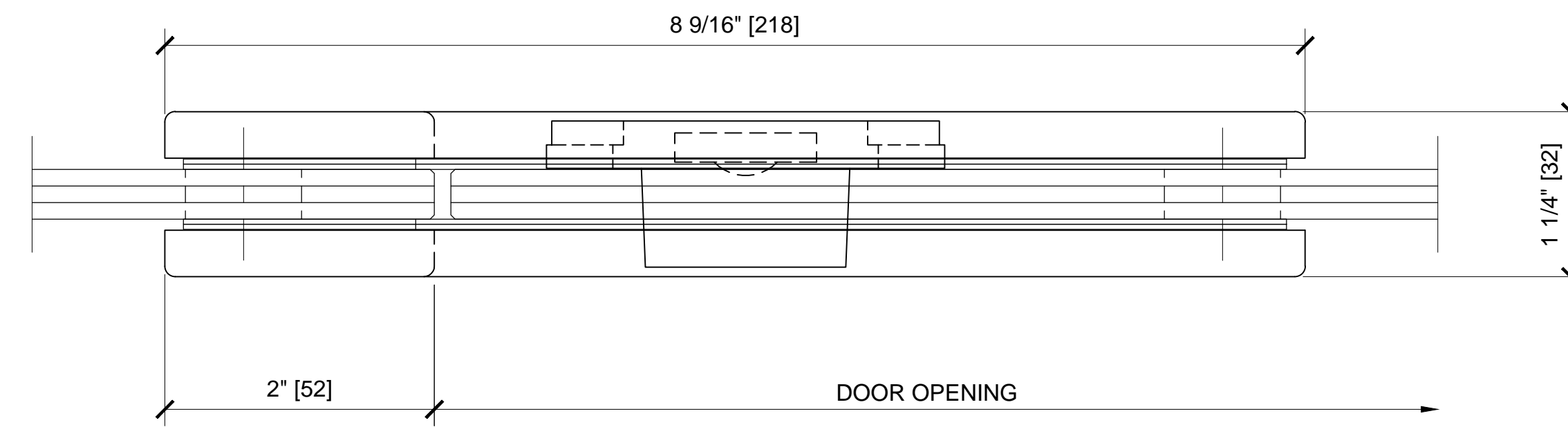


FRONT VIEW

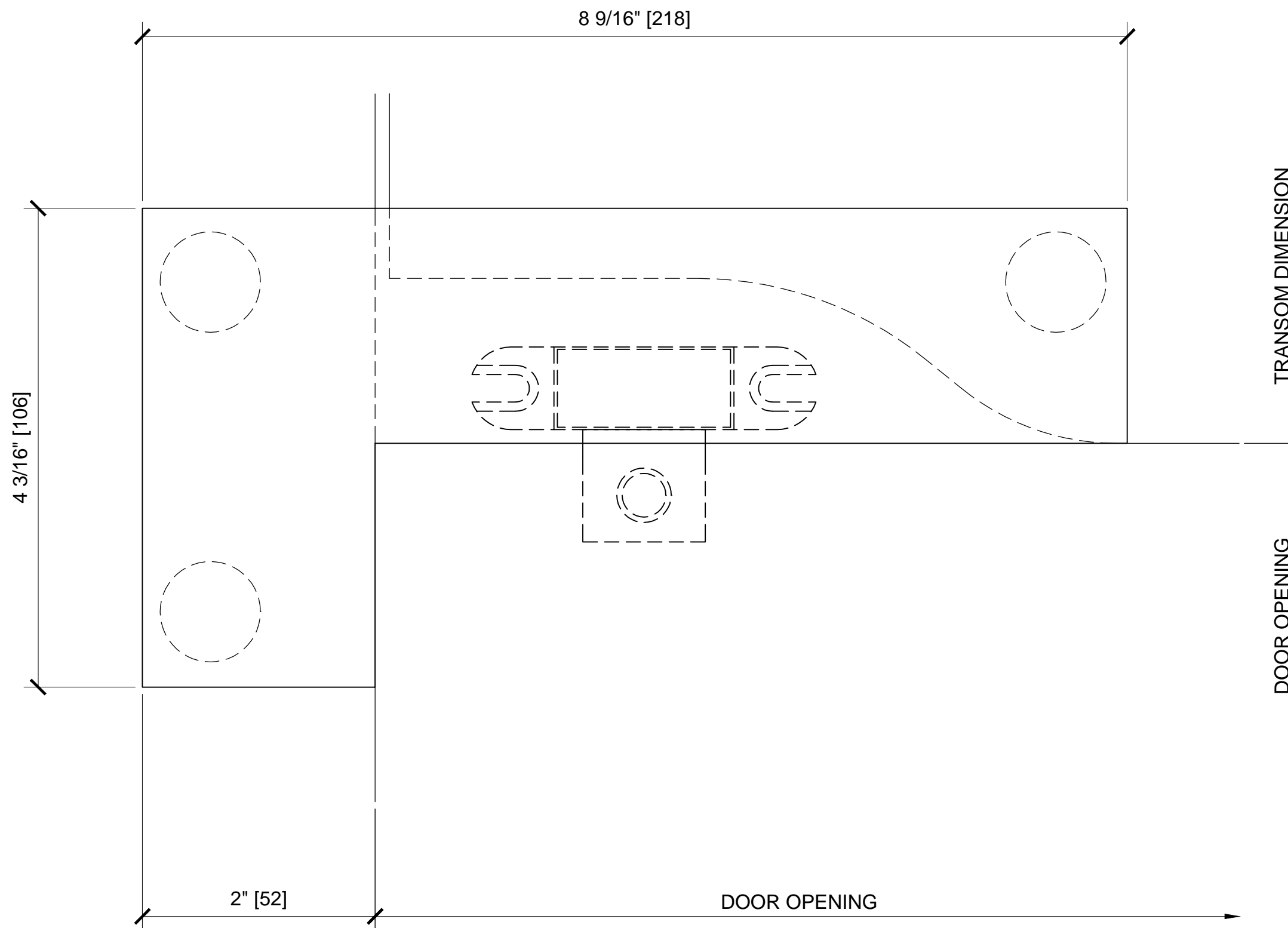


SIDE VIEW

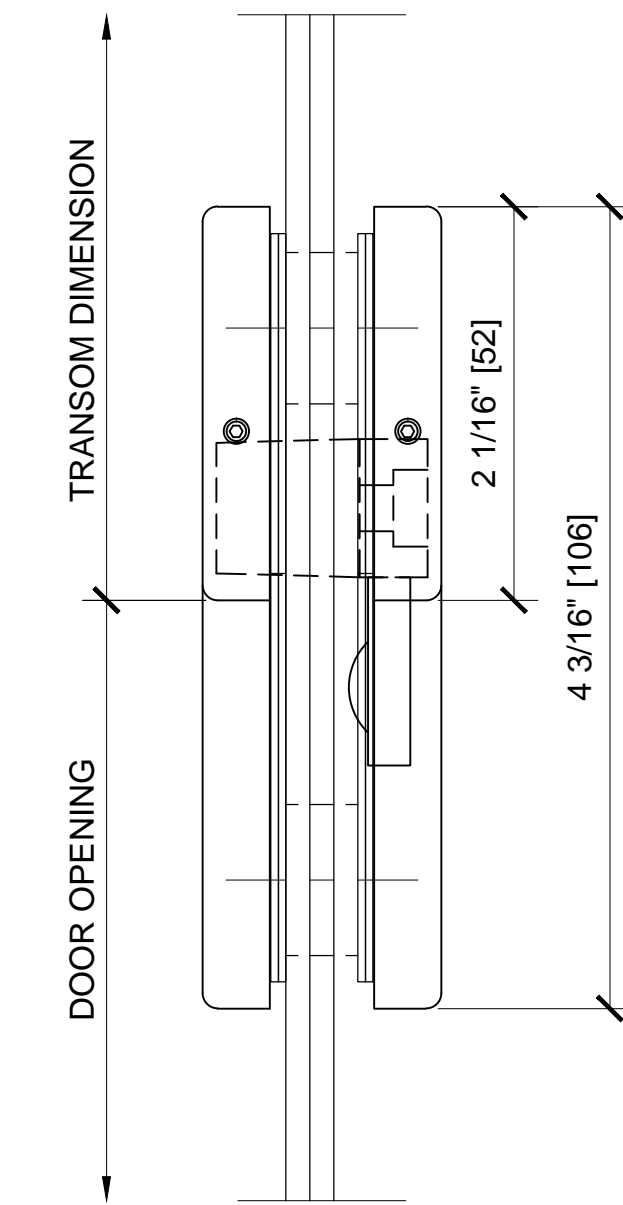
PH40 - SIDELITE TRANSOM PIVOT PATCH



TOP VIEW



FRONT VIEW



SIDE VIEW

PH40 - SIDELITE TRANSOM DOOR-STOP PATCH

Revisions By:



Discription:

CRL COMMERCIAL
PATCH HARDWARE
NORTH AMERICAN SERIES

Drawn By: AAD
Date: 1/3/14
Scale: 1'-0" = 1'-0"
File Name:
PATCH FITTINGS-AMR.dwg

Sheet