

# THERMAL PERFORMANCE - GLAZING SELECTION CHART

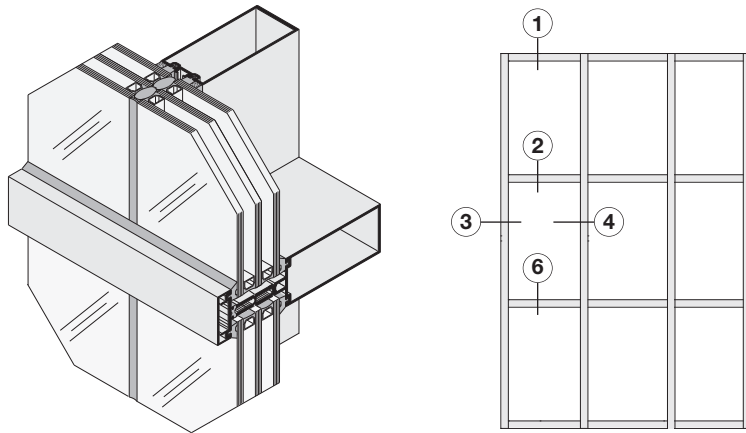
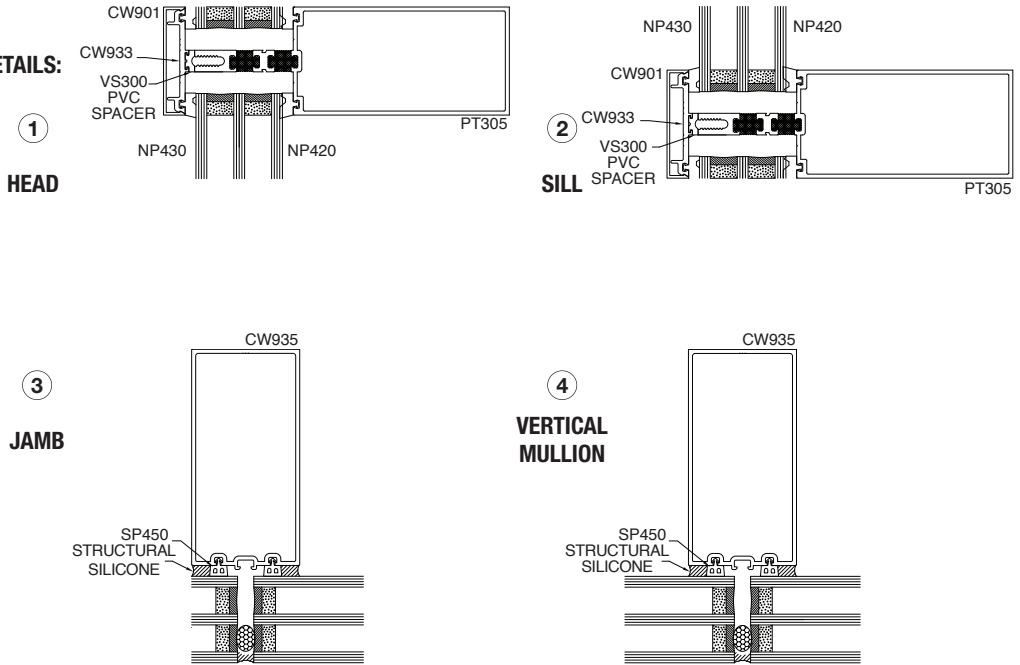
Contact CRL-U.S. Aluminum Technical Sales at (800) 262-5151 in the U.S. or Canada, or (323) 588-1281 (International). Ask for Extension 5305. Additional product details are available online at [crlaurence.com/curtain-walls](http://crlaurence.com/curtain-walls).



## Series HP3253SG Curtain Wall - Tubular

Below are various insulating glazing assemblies and spacer combinations that will provide this system with U-factors ranging from a low of 0.17 to a high of 0.41. If your particular combination of glazing and spacer isn't shown, please contact a CRL - U.S. Aluminum Technical Sales Representative and initiate a request. One of our on-staff thermal simulation engineers will conduct the calculations and return a report that can be utilized for bidding and design purposes.

### TYPICAL DETAILS:



GLAZING ASSEMBLY - 2" INSULATED	CENTER OF GLAZING U-FACTOR <sup>6</sup>	CENTER OF GLAZING SHGC <sup>7</sup>	CENTER OF GLAZING VT <sup>7</sup>	SPACER	OVERALL SYSTEM U-FACTOR <sup>6</sup>	OVERALL SYSTEM SHGC <sup>7</sup>	OVERALL SYSTEM VT <sup>7</sup>
1/4" SunGuard SNX 62/27 Clear1 / 1/2" Xenon / Heat Mirror TC88 / 1/2" Xenon / Heat Mirror TC88 / 1/2" Xenon / 1/4" SunGuard IS 20 Clear2	0.07	0.20	0.38	Stainless	0.17	0.21	0.35
1/4" SunGuard SNX 62/27 Clear1 / 5/8" Xenon / 1/4" SunGuard SNX 62/27 Clear4 / " Xenon / 1/4" SunGuard IS 20 Clear3	0.09	0.19	0.41	Stainless	0.20	0.21	0.37
1/4" SB70XL Starphire1 / 5/8" Argon / 1/4" SB70XL Starphire4 / 5/8" Argon / 1/4" Clear	0.12	0.21	0.46	TGI Wave	0.21	0.22	0.42
1/4" SB60 Clear1 / 5/8" Argon / 1/4" SB60 Clear4 / 5/8" Argon / 1/4" Clear	0.12	0.30	0.56	Stainless	0.22	0.31	0.51
1/4" Cardinal 272 Clear1 / 5/8" Argon / 1/4" Cardinal 272 Clear4 / 5/8" Argon / 1/4" Clear	0.12	0.32	0.54	Aluminum	0.25	0.34	0.49
1/4" Clear / 5/8" Air / 1/4" Clear / 5/8" Air / 1/4" SB70XL Starphire5	0.20	0.37	0.57	Aluminum	0.32	0.38	0.52
1/4" Solarbronze / 5/8" Air / 1/4" SB60 Clear4 / 5/8" Air / 1/4" Clear	0.20	0.26	0.37	Aluminum	0.32	0.29	0.34
1/4" Clear / 5/8" Air / 1/4" Clear / 5/8" Air / 1/4" SB60 Clear5	0.20	0.42	0.63	Stainless	0.30	0.42	0.57
1/4" Clear / 5/8" Air / 1/4" Clear / 5/8" Air / 1/4" Cardinal 2725	0.20	0.45	0.62	Aluminum	0.32	0.45	0.57
1/4" Clear / 5/8" Air / 1/4" Clear / 5/8" Air / 1/4" Clear	0.30	0.62	0.71	Aluminum	0.41	0.61	0.64

1. Low-e on #2 surface    2. Low-e on #3 surface    3. Low-e on #6 surface    4. Low-e on #4 surface    5. In accordance with NFRC 100    6. In accordance with NFRC 200

Solarban, Starphire, Sungate, and Solarbronze are registered trademarks of PPG Industries Ohio, Inc.    Heat Mirror is a registered trademark of Southwall Technologies, Inc.    Cardinal is a registered trademark of Cardinal Glass Industries, Inc.    SunGuard is a registered trademark of Guardian Industries Corp.