

STORM FRONT™

Table of Contents

Hurricane Resistant Storefront • Series DHS-500



SECTION E2	PAGE
SPECIFICATIONS	02-E2
TECHNICAL DATA	03-E2
TYPICAL DETAILS	04-E2



Project: Saria Shopping Center, Miami, FL

U.S. Aluminum warrants its High Impact Glazing Systems to perform at the published values for air and water infiltration and structural performance. Testing standards allow for unit inter layer a maximum rip size after impact and cycle testing. Though considered as successfully passing the test, water infiltration can occur through the glazing material in such cases. U.S. Aluminum does not warrant any glazing materials resulting from impact from wind borne debris and subsequent cycling under storm conditions.

Due to the diversity in state/provincial, local, and federal laws and codes that govern the design and application of architectural products, it is the responsibility of the individual architect, owner, and installer to ensure that products selected for use on projects comply with all applicable building codes and laws. U.S. Aluminum exercises no control over the use or application of its products, glazing materials, and operating hardware, and assumes no responsibility thereof.

The rapidly changing technology within the architectural aluminum products industry demands that U.S. Aluminum reserve the right to revise, discontinue or change any product line, specification or electronic media without prior written notice.

NOTE: Dimensions in parentheses () are millimeters unless otherwise noted.

- Other metric units shown in this publication are:
- m - meter
 - Pa - pascal
 - MPa - megapascal
 - Kg - kilogram
 - KPa - kilopascal

Online usalum.com By Phone (800) 262-5151
 Online crlaurence.com By Phone (800) 421-6144

Specifications

Hurricane Resistant Storefront • Series DHS-500

SECTION 08 41 13 ALUMINUM STOREFRONTS

NOA: 11-0927.06

SERIES	FACE WIDTH	DEPTH	GLAZING INFILL	GLAZING METHOD
DHS-500	1-3/4" (44.5)	5" (127)	9/16" (14) or 1-5/16 (33)	Wet Glaze

I. GENERAL DESCRIPTION

Work Included: Furnish all necessary materials, labor, and equipment for the complete installation of aluminum framing as shown on the drawings and specified herein. *(Specifier Note: It is suggested that related items such as aluminum entrance doors, glass, and sealants be included whenever possible.)*

Work Not Included: Structural support of the framing system, interior closures, trim. *(Specifier list other exclusions)*. Related Work Specified Elsewhere: *(Specifier list)*.

QUALITY ASSURANCE

Drawings and specifications are based on the U.S. Aluminum Series DHS-500 System. Whenever substitute products are to be considered, supporting technical literature, samples, drawings, and performance data must be submitted 10 days prior to bid in order to make a valid comparison of the products involved. Test reports certified by an independent test laboratory must be made available upon request.

PERFORMANCE REQUIREMENTS

Air Infiltration: Shall be tested in accordance with TAS 202.

- DHS-500 Storefront - pressure @ 6.24 psf = (5.08 L/s/m²)

Water Infiltration: Shall be tested in accordance with ASTM E 547. No water penetration at test pressure of: 18.0 psf Dade County Protocol TAS-202

- DHS-500 Storefront Meets all Miami-Dade County, Florida, Air, Water, Structural, and Impact requirements. Large and

Small Missile Impact Test: Maximum design pressure of +/-80 psf with Laminated Glass with PVB interlayer +/-130 psf with SGP Interlayer.

II. PRODUCTS MATERIALS

Extrusions shall be 6063-T5 alloy.

FABRICATION

Vertical and horizontal framing members shall have a nominal face dimension of 1-3/4" (44.5). Overall depth shall be 5" (127).

FINISH

All exposed framing surfaces shall be free of scratches and other serious blemishes. Aluminum extrusions shall be given a Kynar 500 AAMA 2605 paint.

(Specify one of the following):

- ___ Bone White
- ___ Statuary Bronze
- ___ Kynar 500

with the requirements of AAMA 2605. Color shall be *(Specify a U.S. Aluminum standard color.)*

Class 1 anodized extrusions shall be given a caustic etch followed by a anodic oxide treatment to obtain...

- ___ Bronze Anodize
- ___ Clear Anodize

GLAZING

- Large Missile 9/16" (14) SGP by Dupont Laminated Impact Glass (Heat Strengthened/Heat Strengthened)
- Large Missile 9/16" (14) SGP by Dupont or PVB Laminated Impact Glass (Heat Strengthened/Heat Strengthened)

- Small Missile 9/16" (14) PVB Laminated Impact Glass (Tempered/Tempered)
- Large Missile 1-5/16" (33) Laminated Insulating Glass (Heat Strengthened/Heat Strengthened on Exterior, 1/2" (12.7) Air Space, 1/4" (6.3) Tempered on Interior.)
- Glass Tint Available as Selected by the Architect/Owner

SEALANTS

All metal-to-metal joints shall use DOW 995 Silicone. Door seal gaskets shall require small DOW 795 Silicone.

III. EXECUTION INSTALLATION

All glass framing shall be set by a qualified installer in correct locations as shown in the details and shall be level, square, plumb, and in alignment with other work in accordance with the manufacturer's installation instructions and approved shop drawings. All joints between framing and the building structure shall be sealed in order to secure a watertight installation.

PROTECTION AND CLEANING

After installation the General Contractor shall adequately protect exposed portions of aluminum surfaces from damage by grinding and polishing compounds, plaster, lime, acid, cement or other contaminants. The General Contractor shall be responsible for final cleaning.

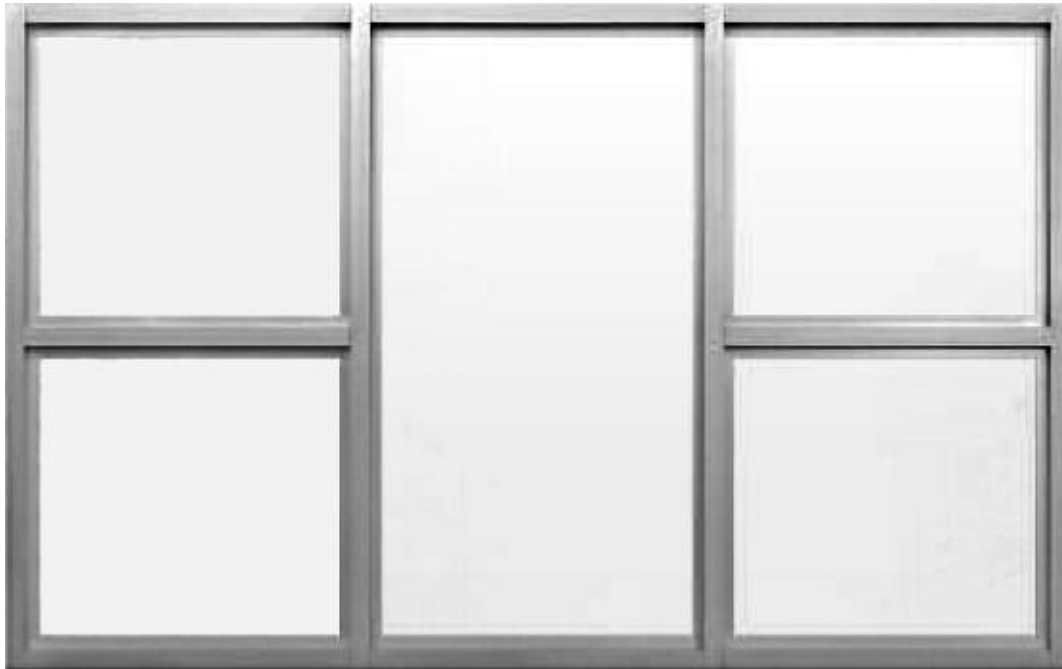
STORM FRONT™

Technical Data

Hurricane Resistant Storefront

- Series DHS-500

The DHS-500 is a 5" (127) deep Hurricane Resistant Storefront System designed for all commercial applications including retail space, hotels, condominiums, office buildings, institutional facilities, and industrial structures. The DHS-500 is engineered to deliver superior quality, strength, and durability, while maintaining a truly elegant appearance.



Specifications:

- Frame Sections are Extruded from a Minimum of 6063-T6 Aluminum Alloy
- Frame Depth 1-3/4" x 5" (44.5 x 127)
- 0.125" (3.2) Nominal Wall Thickness, Door and Frame
- Maximum Frame Height: 120" (3.05 m)
- Standard Finishes: Bone White or Statuary Bronze Kynar Paint, and Clear Anodized (Class I)
- Factory Pre-Glazed With Structural Silicone

Testing and Code Compliance:

- Miami-Dade County Approved (See Approval for Specific Order Options)
- Florida Building Code Approved (See Approval for Specific Order Options)
- Maximum Design Pressures: +100 psf /-130 psf Large Missile Impact and Small Missile Impact
- Test Air Infiltration to ASTM E283 at 6.24 psf
- Test Water Infiltration to ASTM E331 at 20.0 psf

Options:

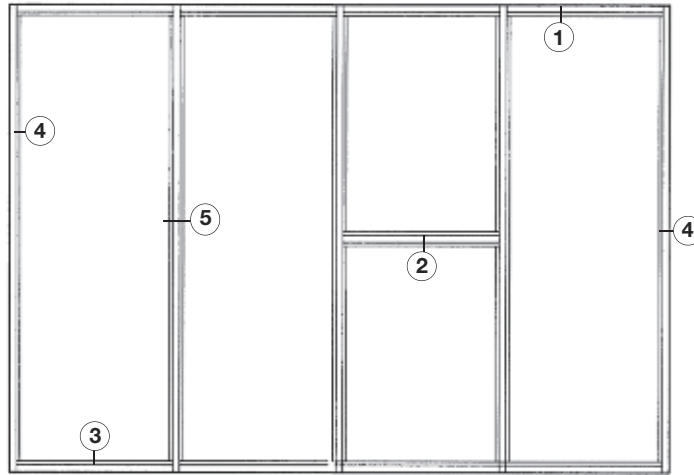
- Custom Finishes: AAMA 2605 Compliant Painted Finishes
- Large Missile 9/16" (14) SGP Laminated Impact Glass (Heat Strengthened/Heat Strengthened)
- Large Missile 9/16" (14) SGP or PVB Laminated Impact Glass (Heat Strengthened/Heat Strengthened)
- Small Missile 9/16" (14) PVB Laminated Impact Glass
- Large Missile 1-5/16" (33) SGP Laminated Insulating Glass (Heat Strengthened/Heat Strengthened on Exterior, 1/2" (12.7) Air Space, 1/4" (6) Tempered on the Interior)
- Glass Tint Available as Selected by the Architect/Owner
- Open for Glazing by Customer

Typical Details

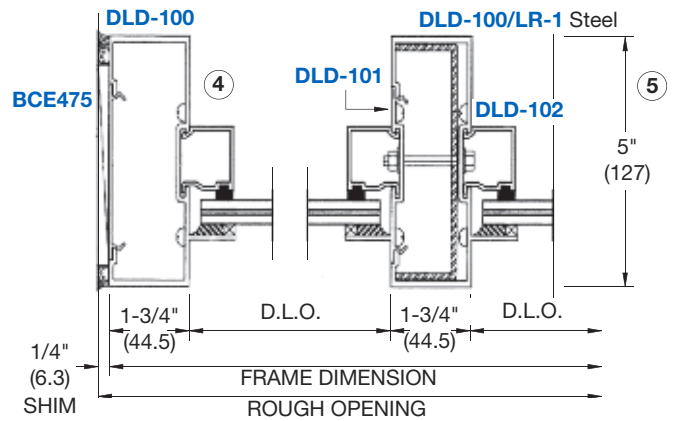
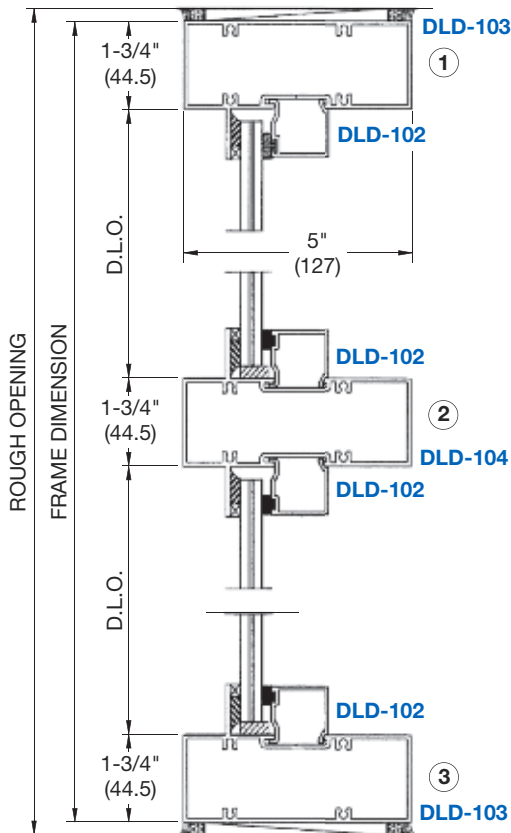
Hurricane Resistant Storefront
 • Series DHS-500

9/16" (14) GLAZING SHOWN

(For 1-5/16" (33) Glazing Contact
 U.S. Aluminum Technical Representative)



TYPICAL ELEVATION



NOT TO SCALE