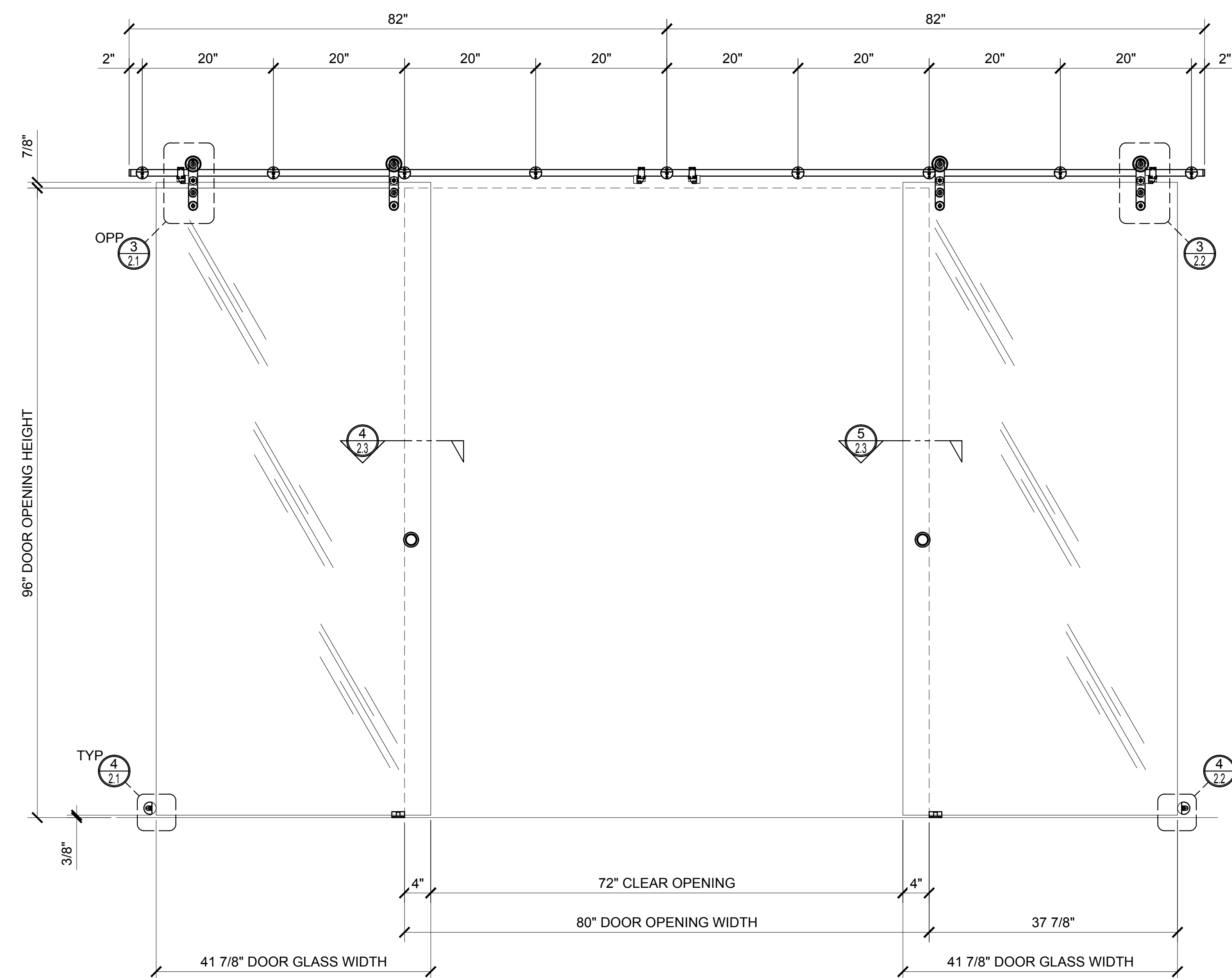
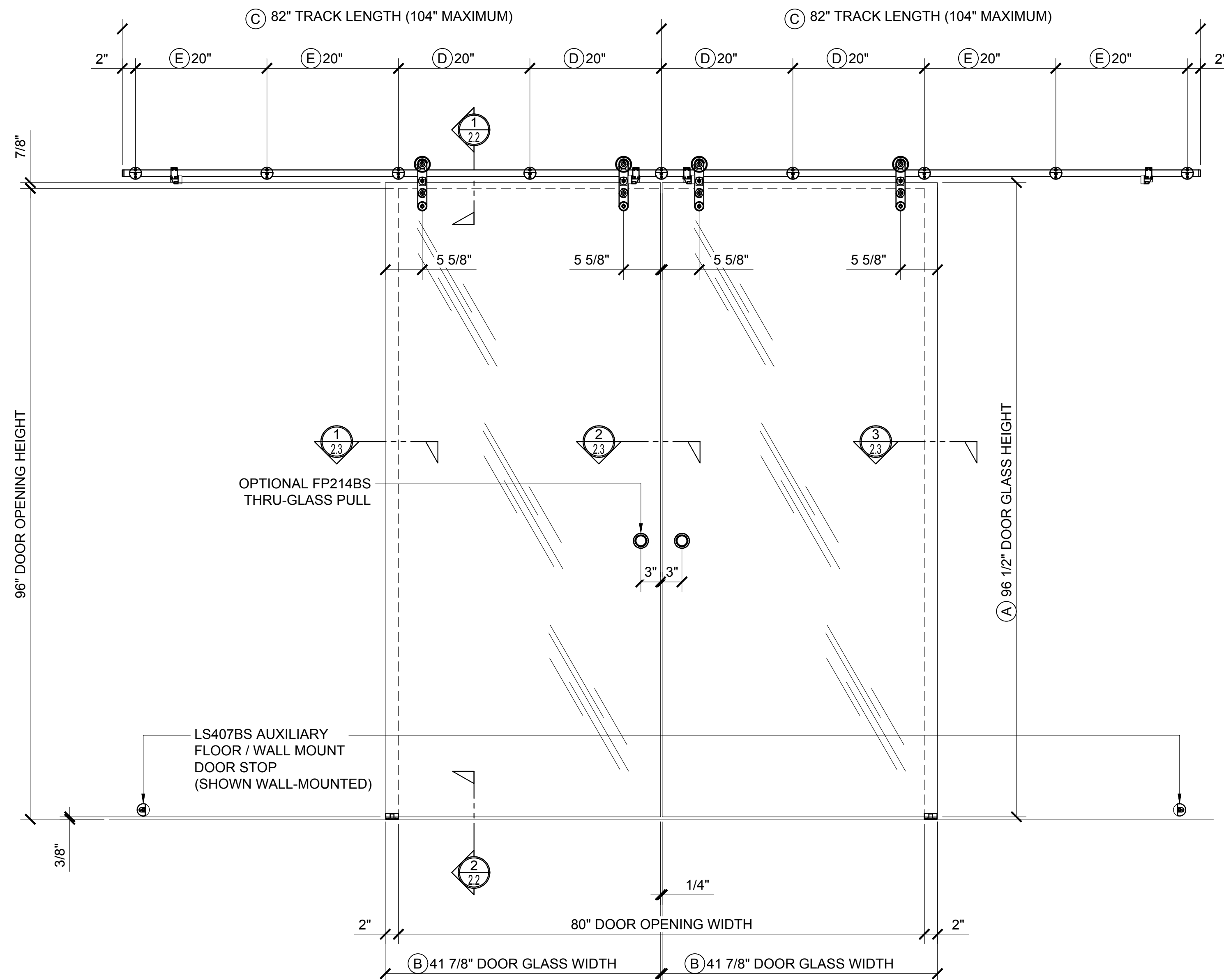




DOOR SYSTEM LIMITATIONS
 MAXIMUM DOOR WEIGHT: 220 lbs. (100 kg)
 MAXIMUM PANEL WIDTH: 53 1/2" (1.36m)
 MAXIMUM PANEL HEIGHT: 98 7/16" (2.50m)
 MAXIMUM TRACK LENGTH: 104" (2.64m)

- * ANTI-LIFT FEATURE FOR ADDED SAFETY
- * ALL 316 ALLOY BRUSHED STAINLESS STEEL CONSTRUCTION
- * IDEAL FOR INTERIOR APPLICATIONS
- * FOR USE WITH 3/8" OR 1/2" (10mm OR 12mm) GLASS
- * COMES WITH ALL FASTENERS NEEDED FOR EITHER FLUSH (COUNTERSUNK) OR SURFACE (STRAIGHT HOLE) MOUNTING
- * ADAPTOR KITS AVAILABLE FOR WOOD DOOR APPLICATIONS

CRL LSWM6BS LAGUNA SERIES WALL MOUNT BI-PARTING SLIDER



- (A) D.O.H. + 1/2"
- (B) (D.O.W. / 2) + 1 7/8"
- (C) D.O.W. + 2"
- (D) D.O.W. / 4
- (E) D.O.W. / 4

1 LAGUNA SERIES DOOR (CLOSED)
 ARCH REF: NONE 1"=1'-0"

2 LAGUNA SERIES DOOR (OPEN)
 ARCH REF: NONE 1"=1'-0"

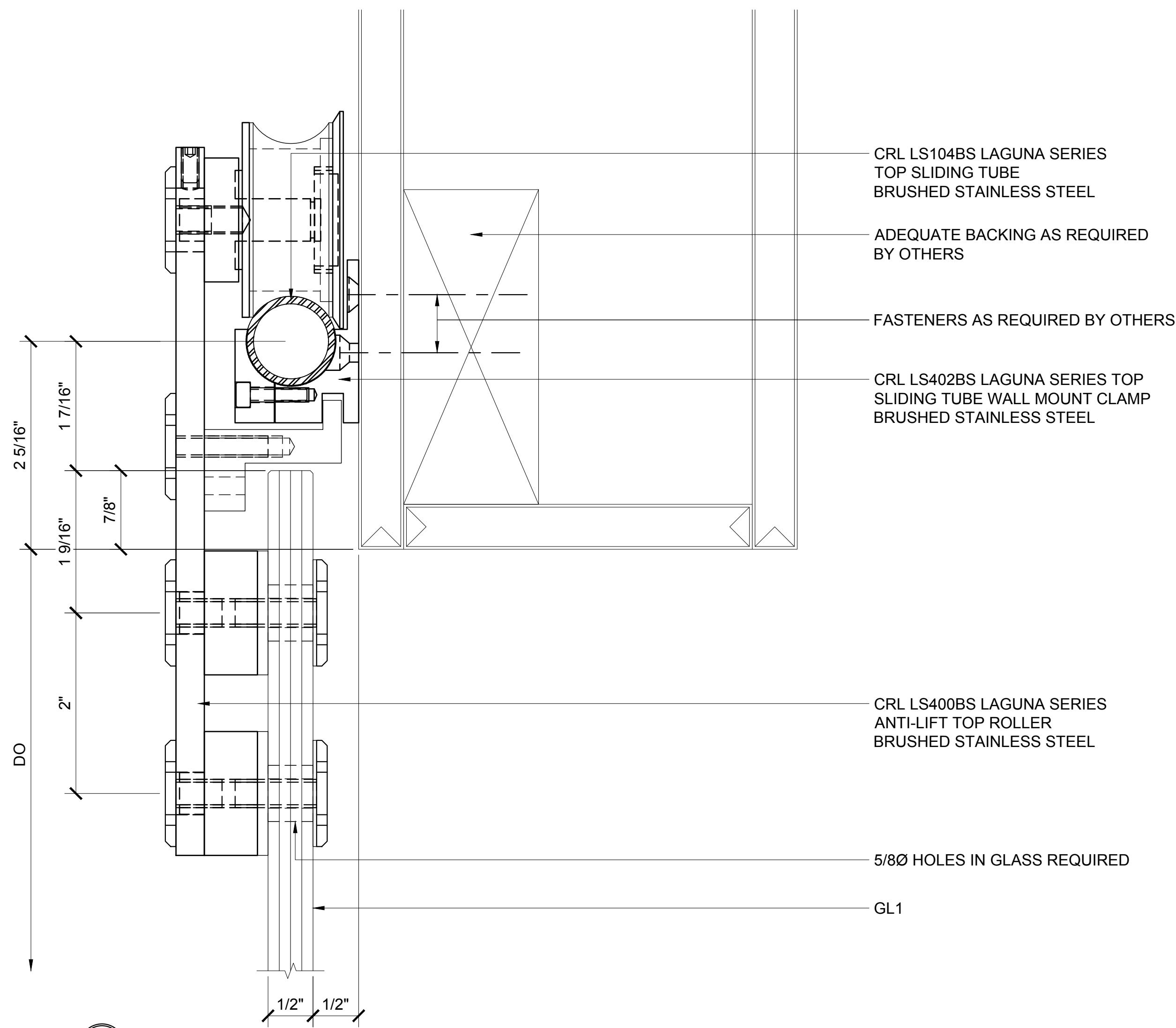
D.O.H. = DOOR OPENING HEIGHT
 D.O.W. = DOOR OPENING WIDTH

Revisions By:



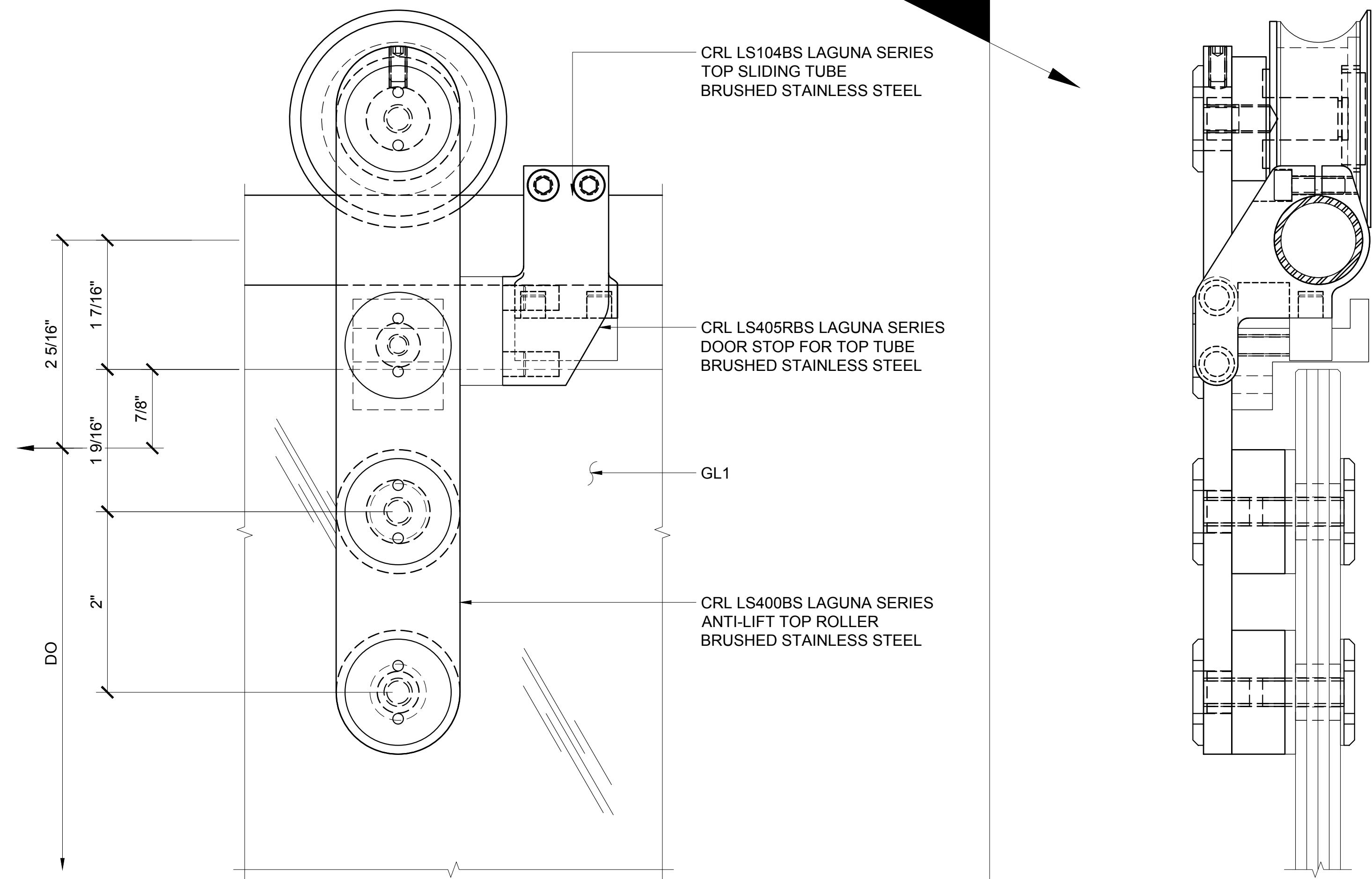
Description:
 CRL LAGUNA OFFICE
 PARTITION SYSTEM

Drawn By: AAD
 Date: 3/3/16
 Scale: AS NOTED
 File Name:
 2-CRL LSWM6BS LAGUNA SERIES WALL
 MOUNT BI-PARTING SLIDER.dwg
 Sheet



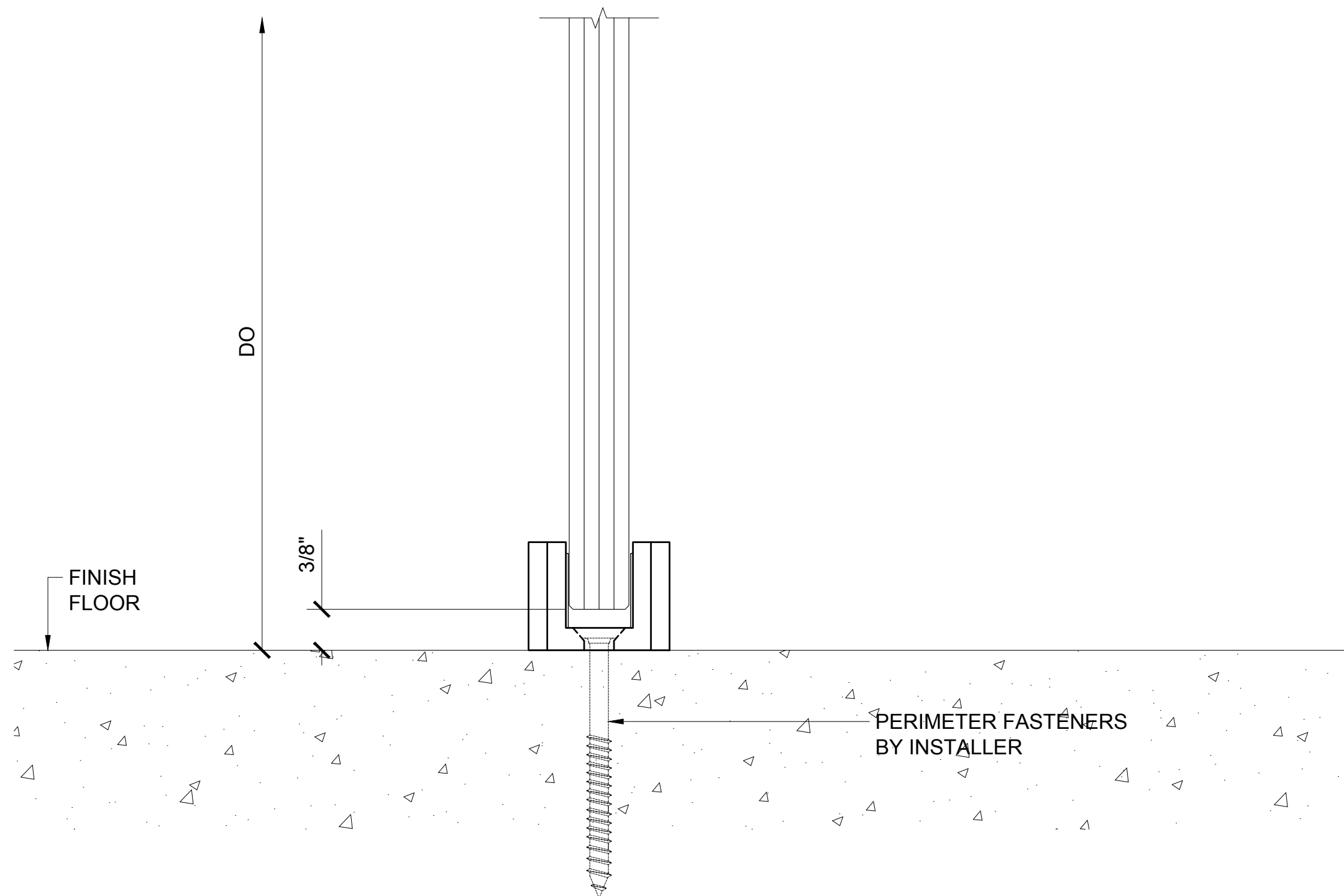
① DOOR HEAD DETAIL

ARCH REF: 1'-0"=1'-0"



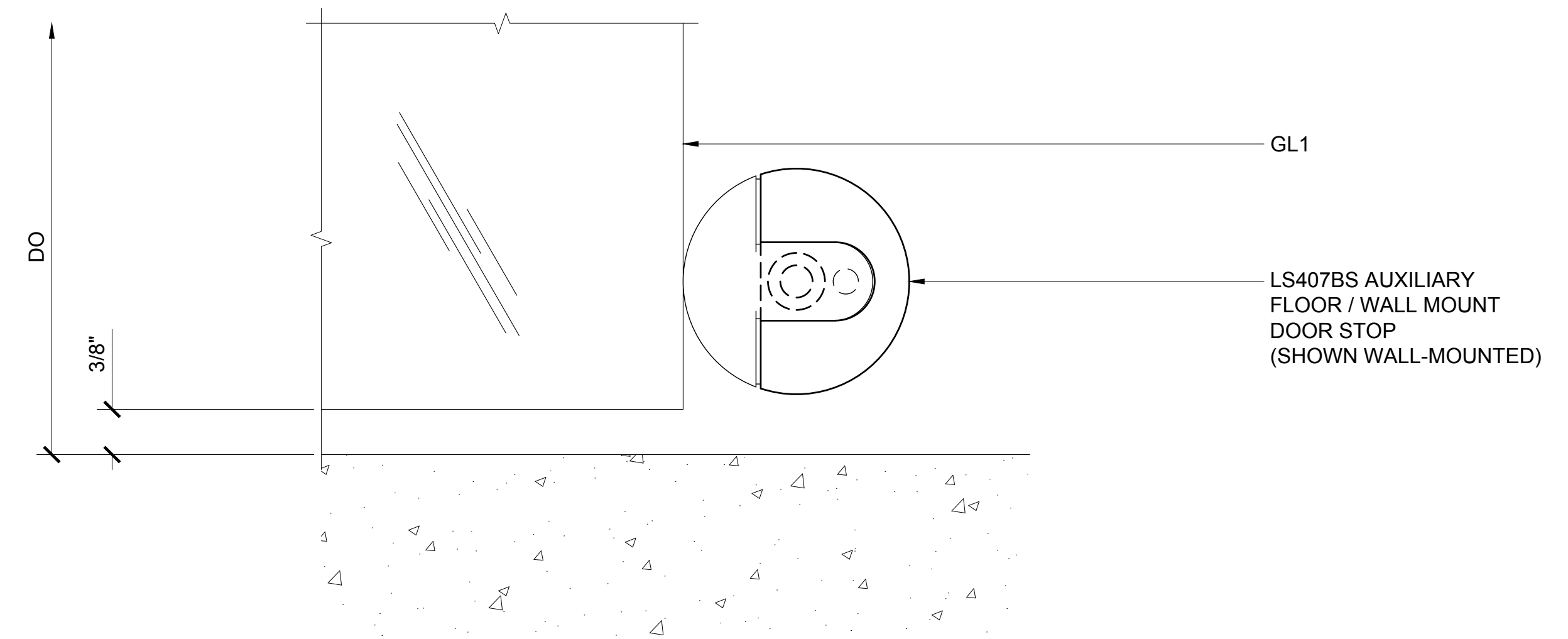
③ TOP BUMPER DETAIL

ARCH REF: 1'-0"=1'-0"



② DOOR SILL DETAIL

ARCH REF: 1'-0"=1'-0"

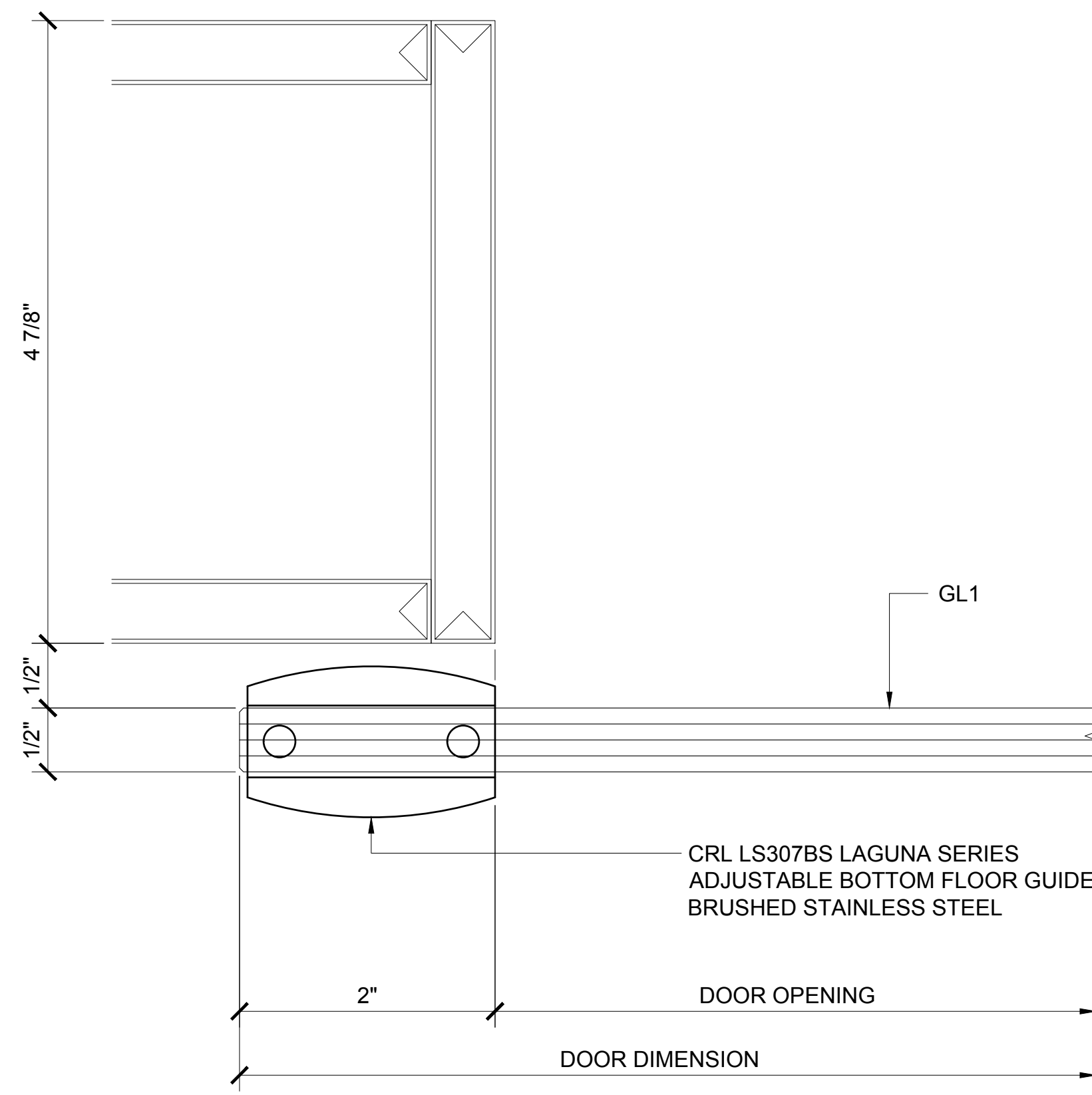


④ BOTTOM BUMPER DETAIL

ARCH REF: 1'-0"=1'-0"

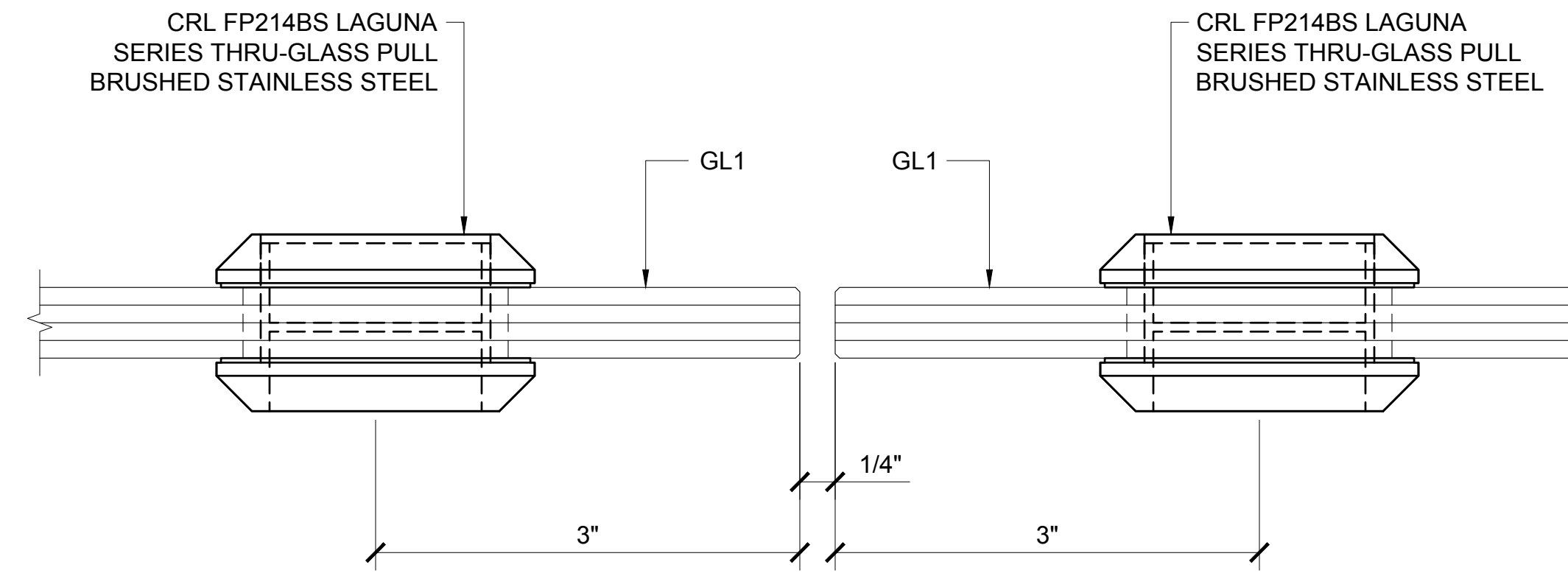
Discription:
CRL LAGUNA OFFICE
PARTITION SYSTEM

Drawn By: AAD
Date: 3/3/16
Scale: AS NOTED
File Name: 2.CRL.LSWM6BS.LAGUNA.SERIES.WALL.MOUNT.BI-PARTING.SLIDER.dwg
Sheet



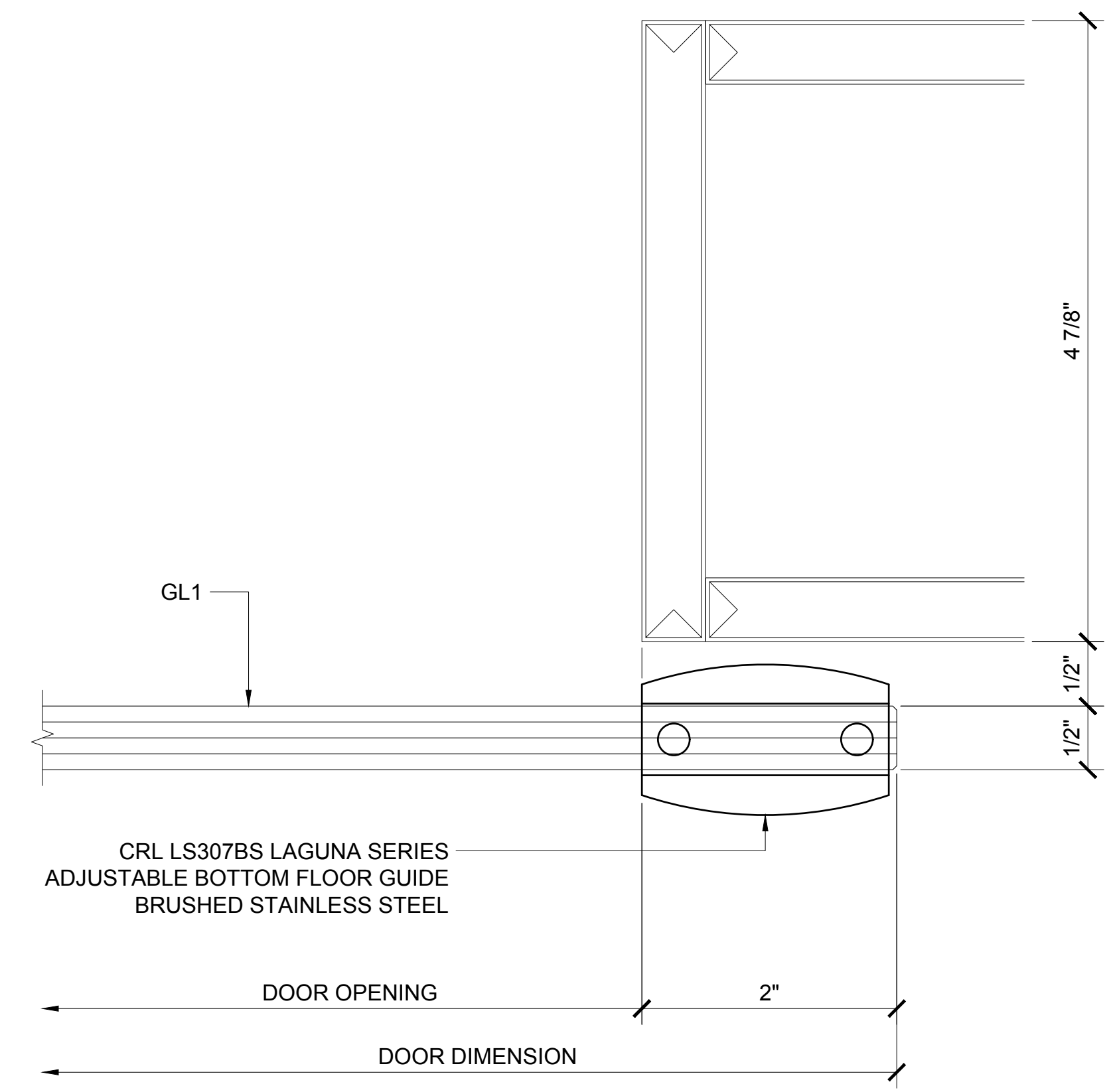
① DOOR JAMB DETAIL (DOOR CLOSED)

ARCH REF: 1'-0"=1'-0"



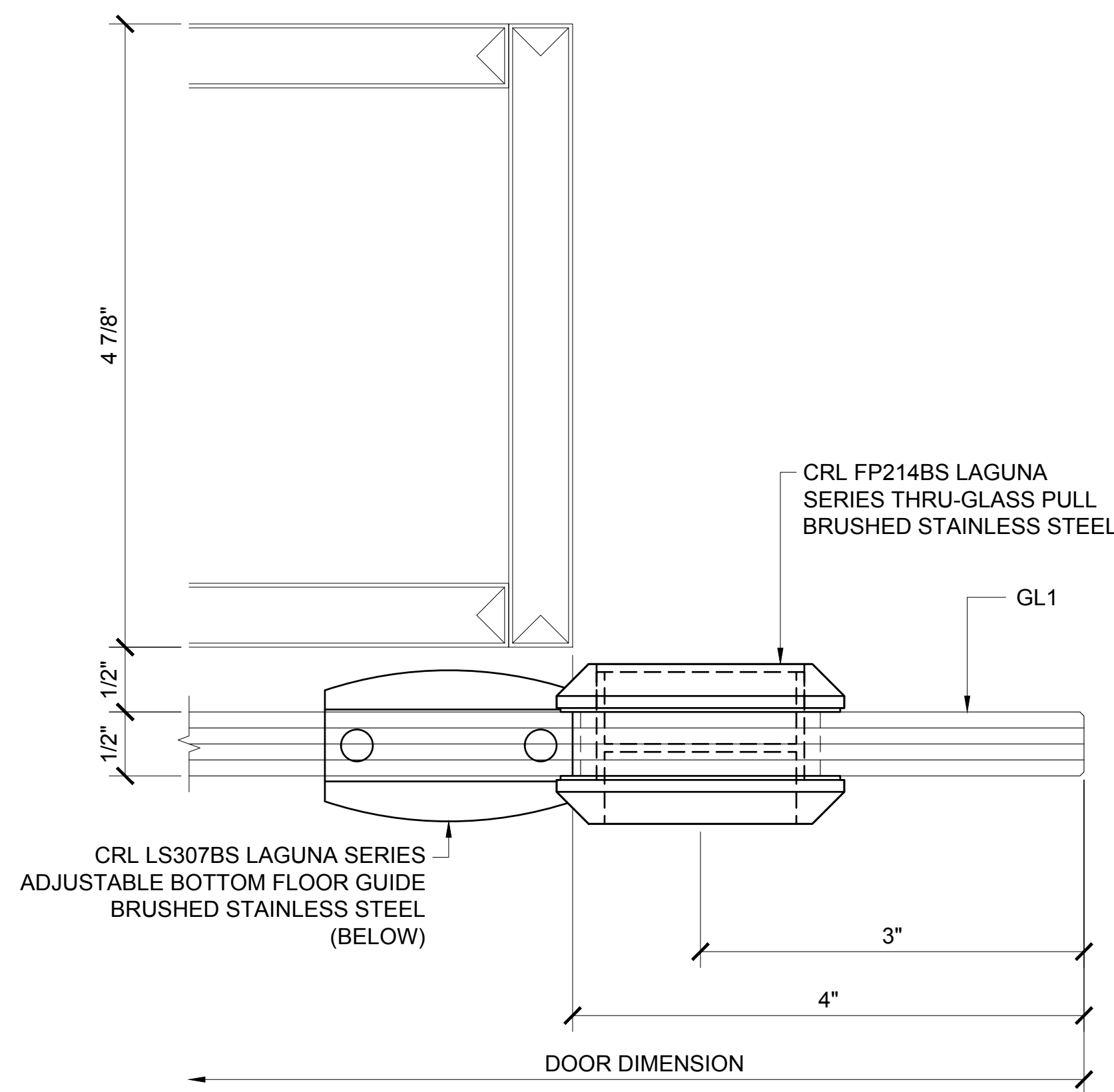
② MEETING STILES DETAIL (DOOR CLOSED)

ARCH REF: 1'-0"=1'-0"



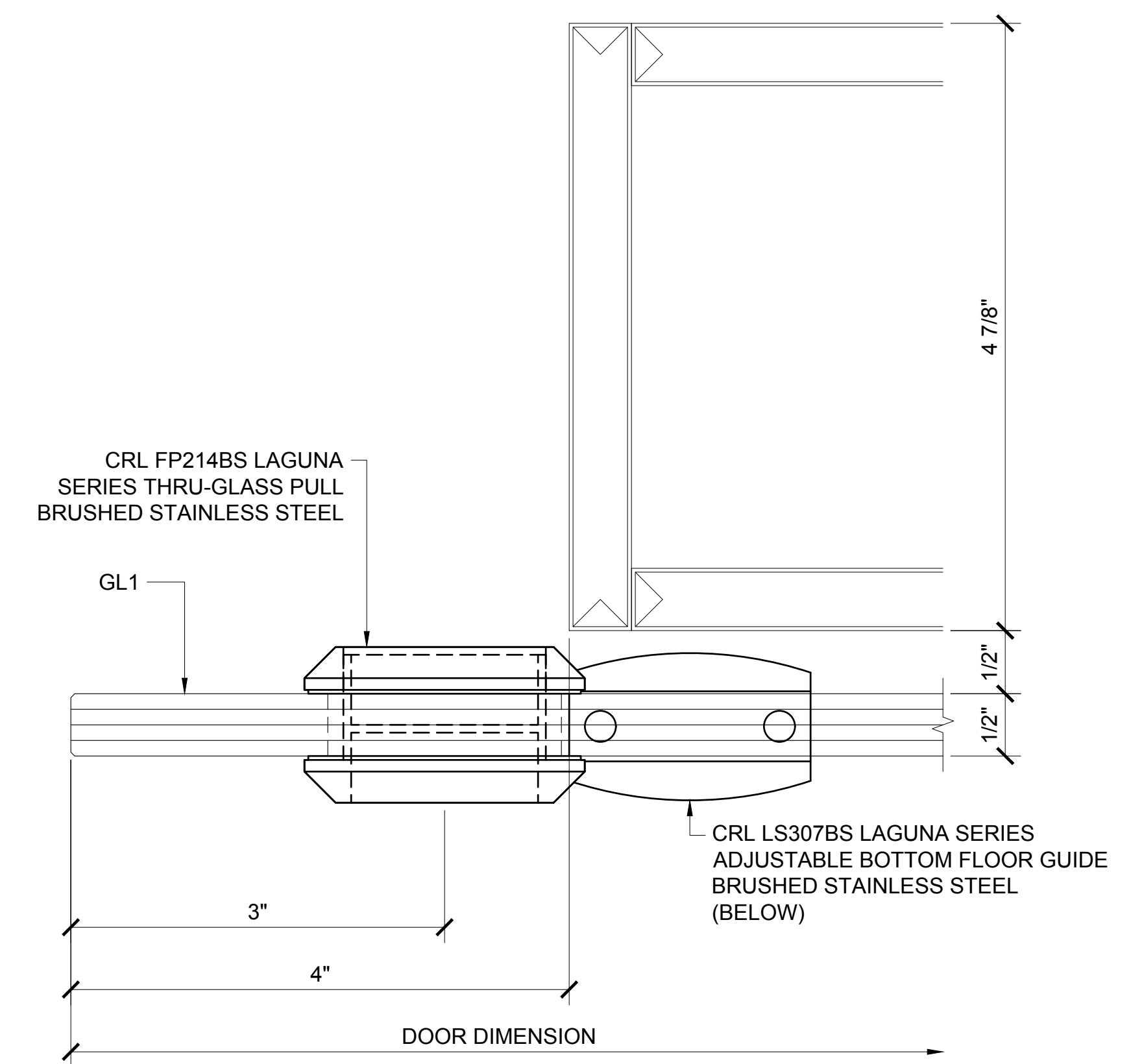
③ DOOR JAMB DETAIL (DOOR CLOSED)

ARCH REF: 1'-0"=1'-0"



④ DOOR JAMB DETAIL (DOOR OPEN)

ARCH REF: 1'-0"=1'-0"



⑤ DOOR JAMB DETAIL (DOOR OPEN)

ARCH REF: 1'-0"=1'-0"

Description:
CRL LAGUNA OFFICE
PARTITION SYSTEM

Drawn By: AAD
Date: 3/3/16
Scale: AS NOTED
File Name:
2-CRL LSWM6BS LAGUNA SERIES WALL
MOUNT BI-PARTING SLIDER.dwg
Sheet